

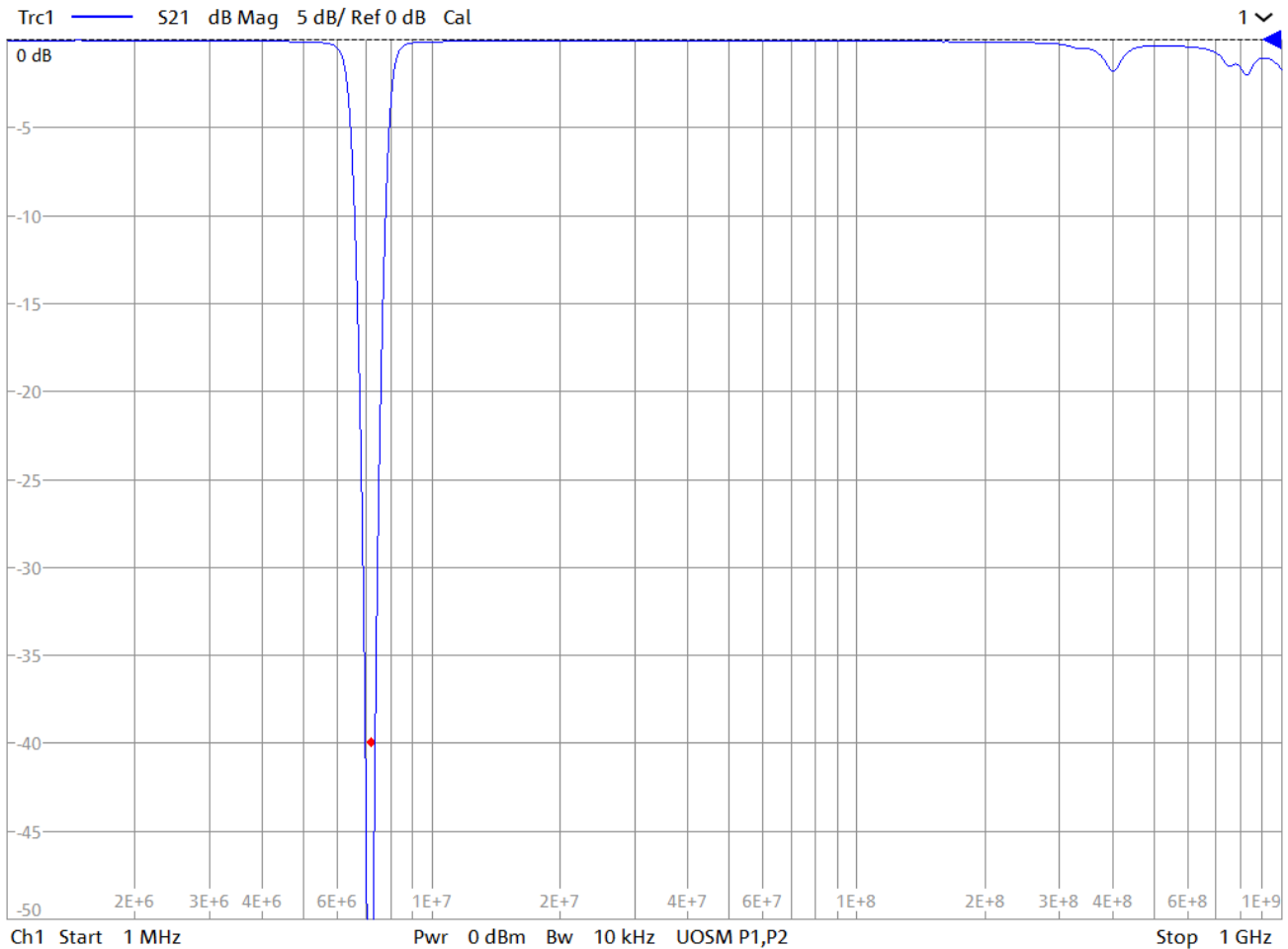
General Description

KR Electronics 3465-7.2-SMA is a 7.2 MHz notch filter. Other notch frequencies are available. Please consult the factory.

Features

- 7.2 MHz Notch Filter
- 50Ω Source & Load
- SMA Connectors
- Other configurations available

Typical Performance

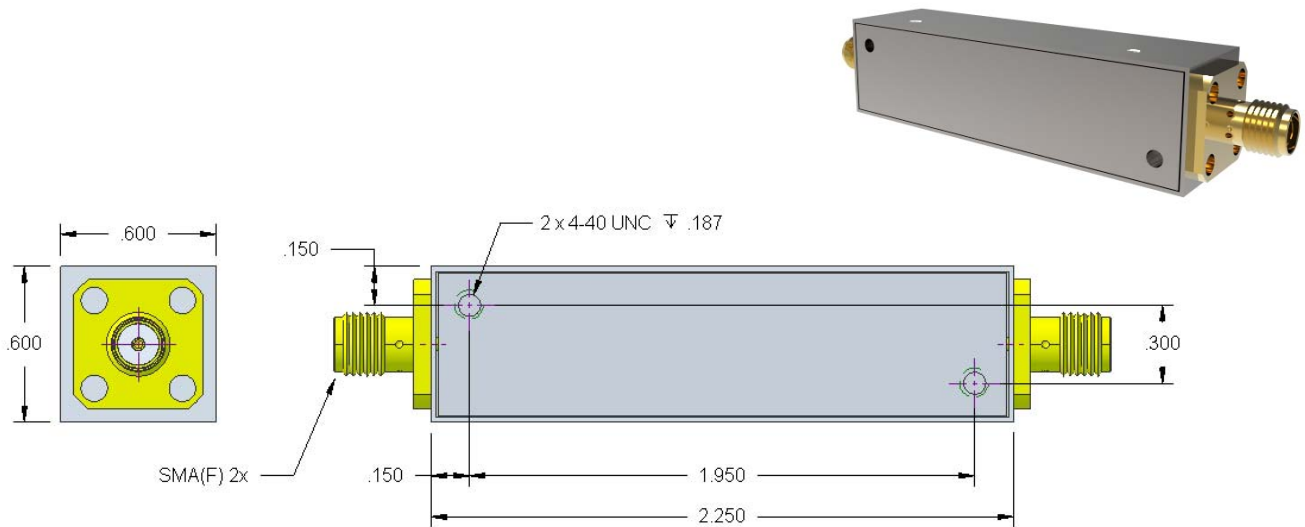


KR Electronics 3465-7.2-SMA

Specifications

Parameter	Specification	Notes
Filter type	Notch	
Notch Frequency Fc	7.2 MHz	
Rejection at Fc	40 dB min	60 dB typical
3 dB Bandwidth	2.6 MHz max	1.7 MHz typical
40 dB Bandwidth	0.38 MHz typical	
Source and Load	50 Ω	

Physical Dimensions



Notes:

1. Dimensions in inches
2. Metal Case
3. SMA(F) Connectors