

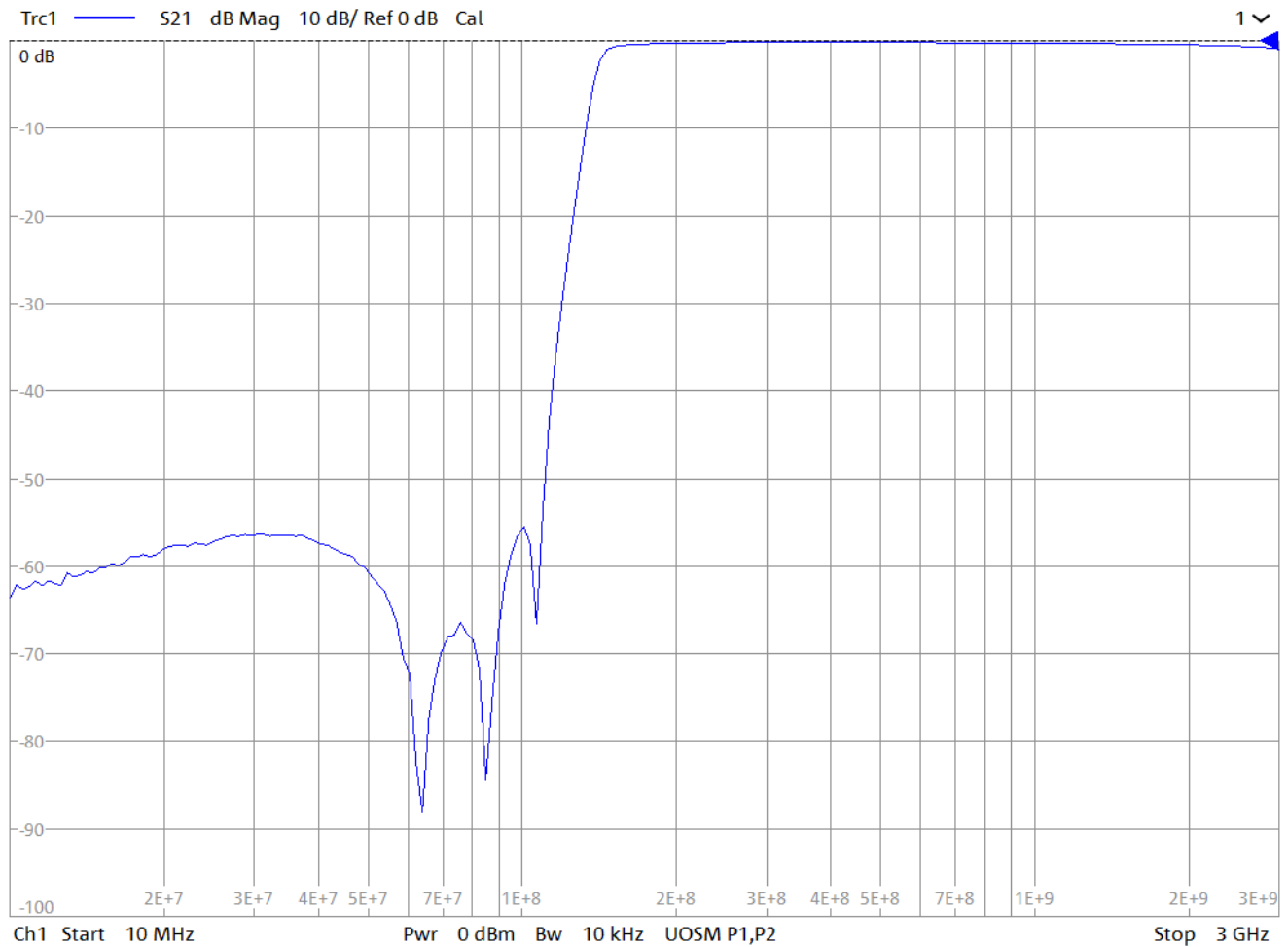
General Description

KR Electronics part number 3476-150-SMA is a 150 MHz Highpass filter. Other bandwidths are available. Please consult the factory.

Features

- 150 MHz Highpass Filter
- <3 dB at 150 MHz to 2400 MHz
- 40 dB min Rejection below 110 MHz
- 50 Ω Source and Load
- SMA Connectors
- Surface Mount also Available

Typical Performance

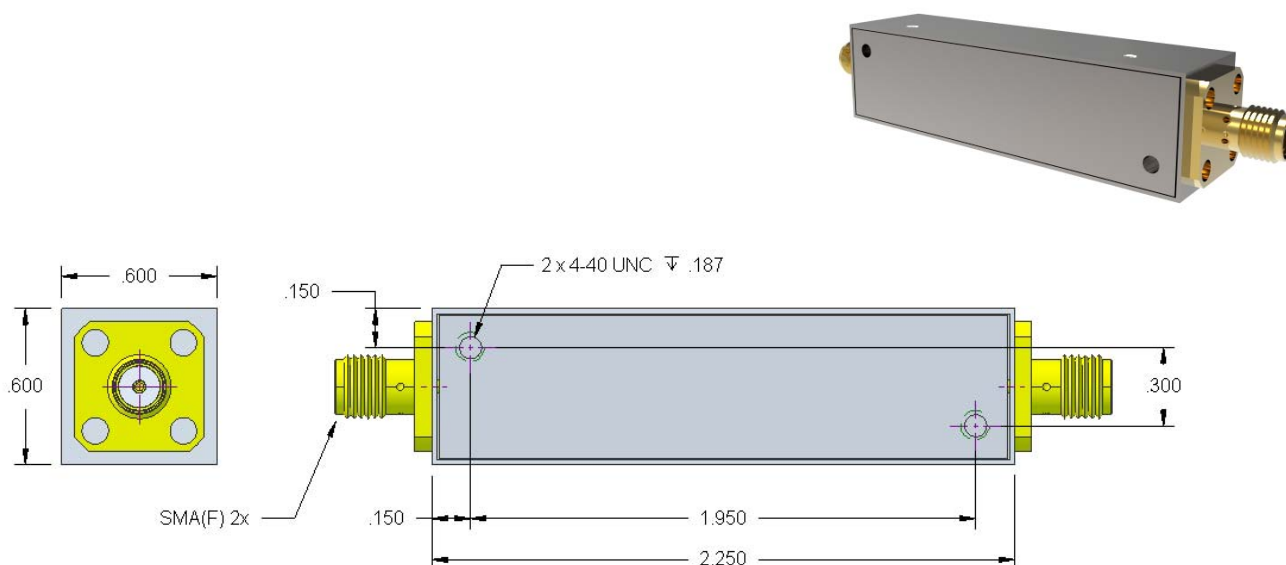


KR Electronics 3476-150-SMA

Specifications

Parameter	Specification	Notes
Filter type	Highpass	
Passband (< 3 dB)	150 MHz to 2400 MHz	< 1 dB typical
Rejection DC to 110 MHz	40 dB min	50 dB typical
Source and Load	50 Ω	

Physical Dimensions



Notes:

1. Dimensions in inches
2. Metal Case
3. SMA(F) Connectors
4. Also available in surface mount package