

General Description

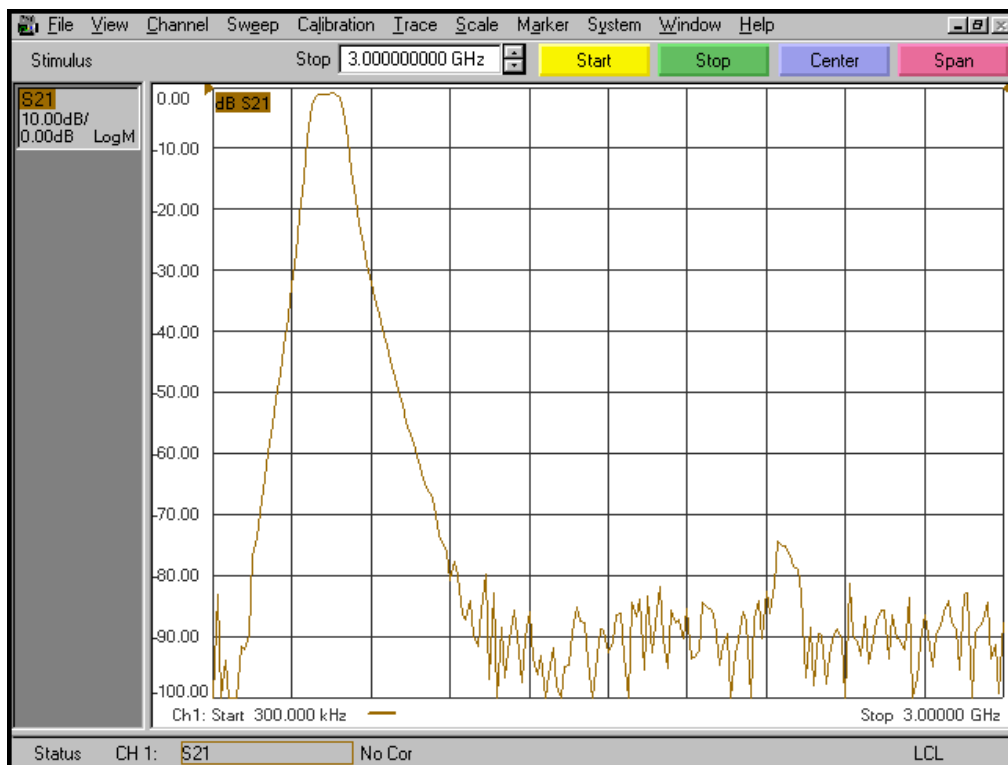
KR Electronics part number 3181-SMA is a 435 MHz bandpass filter. The filter has a min 3 dB bandwidth of 120 MHz. Other center frequencies and bandwidths are available. Please consult the factory.

Features

- 435 MHz Bandpass Filter
- 3 dB Bandwidth, 120 MHz min
- 50 Ω Source and Load
- SMA Connectors

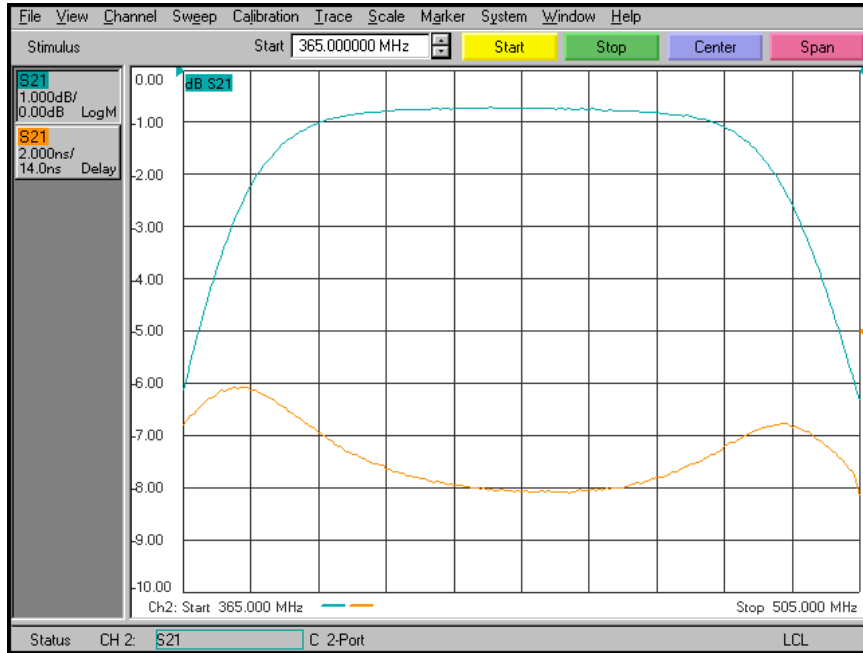
Typical Performance

Overall Response (10 dB/div)

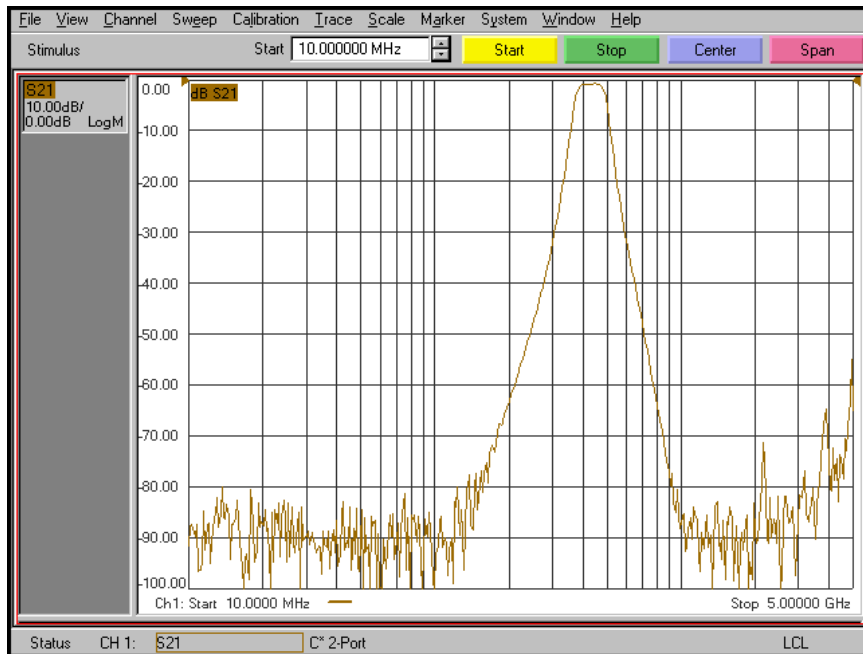


Typical Performance

Passband Amplitude & Group Delay
(1 dB/div & 2 nsec/div)



Overall Response
(10 dB/div)



KR Electronics, Inc.
91 Avenel Street
Avenel, NJ 07001

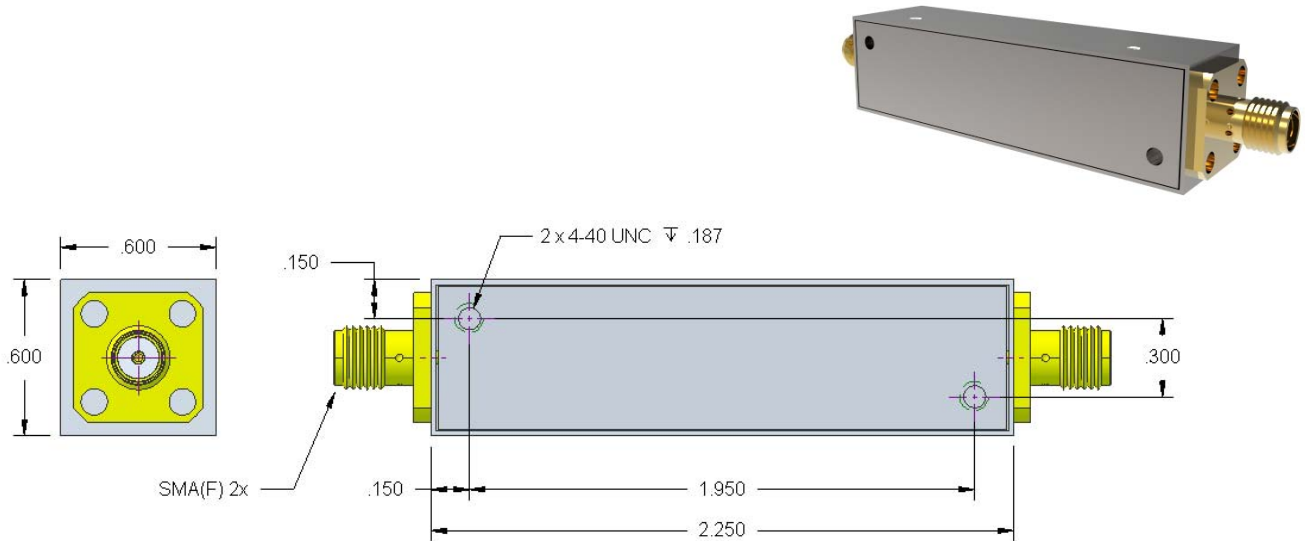
Web www.krfilters.com
Email sales@krfilters.com
Phone (732) 636-1900
Fax (732) 636-1982

KR Electronics 3181-SMA

Specifications

Parameter	Specification	Notes
Filter type	Bandpass	
Center Frequency Fc	435 MHz	
Insertion Loss at Fc	1 dBa max	
3 dBc Bandwidth	120 MHz min	
Rejection at 275 MHz	30 dB min	
Rejection at 625 MHz	30 dB min	
Rejection 870 MHz to 2600 MHz	50 dB min	
Source and Load	50 Ω	

Physical Dimensions



Notes:

1. Dimensions in inches
2. Rectangular case

KR Electronics, Inc.
91 Avenel Street
Avenel, NJ 07001

Web www.krfilters.com
Email sales@krfilters.com
Phone (732) 636-1900
Fax (732) 636-1982