

# 100kHz Driver for NanoSpeed™ Variable Optic Attenuator (Preliminary)

(patents pending)

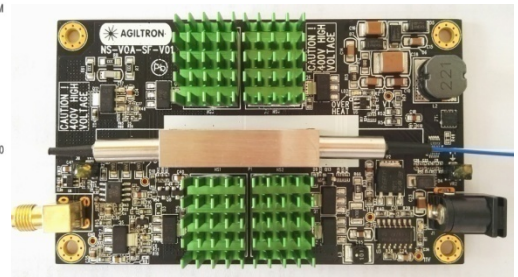
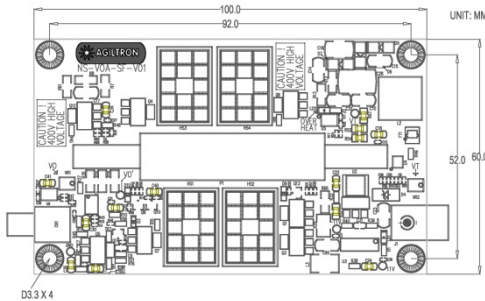
## Product Description

This NS series of fast-speed driver is designed to control NS series of solid state variable optic attenuators (VOA). The push-pull output design is especially suitable for driving capacitive VOA loads, assuring the fast response time both on rising and falling of attenuation. The driver can be operated by 0-5V signal to control the attenuation of VOA.

The standard driver controls one individual VOA. Drivers controlling multiple VOAs are also available, please call Sales at (781) 935-1200 for more information.

### Features

- Fast response
- High repetition rate
- Push-Pull output design
- Low quiescent power consumption



## Performance Specifications

Technical Specs	Min	Typical	Max	Unit
Response time (Rise) (Sr) <sup>[1]</sup>	250		850	ns
Response time (Fall) (Sf) <sup>[2]</sup>	250		850	ns
Repetition Rate	DC		100	kHz
Control signal for attenuation	0		5 <sup>[3]</sup>	V
Power Consumption <sup>[4]</sup>			8	W
Power Supply	12		24	V
Operating Temperature	-5		70	°C
Storage Temperature	-40		80	°C
Electrical Connector	SMA			
Board Size	3.94(L)x2.36(W)x0.6(H)			Inch

Note:

[1]: Response time (Rise): Begin of electronic signal to the completion of optic intensity change

[2]: Response time (Fall): Begin of electronic signal to the completion of optic intensity change.

[3]: For full attenuation in VOA

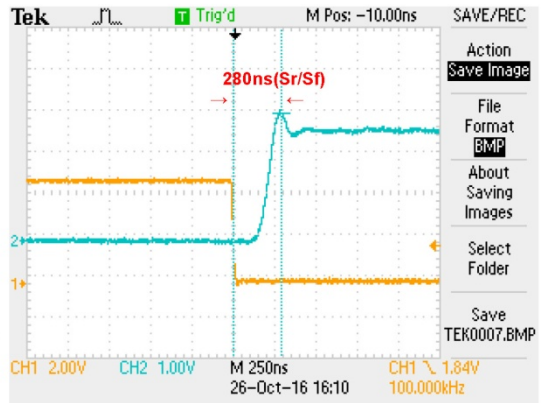
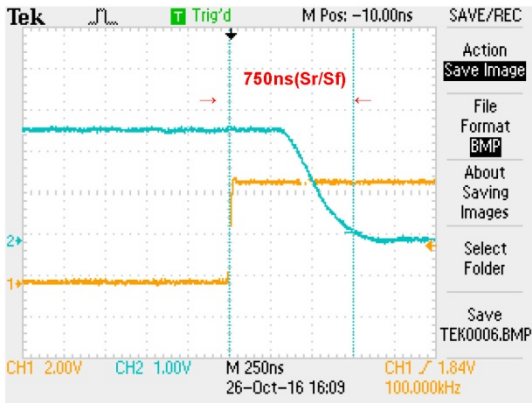
[4]: Dependent on repetition frequency. Measured for the attenuation > 20dB at 100 kHz.

### Applications

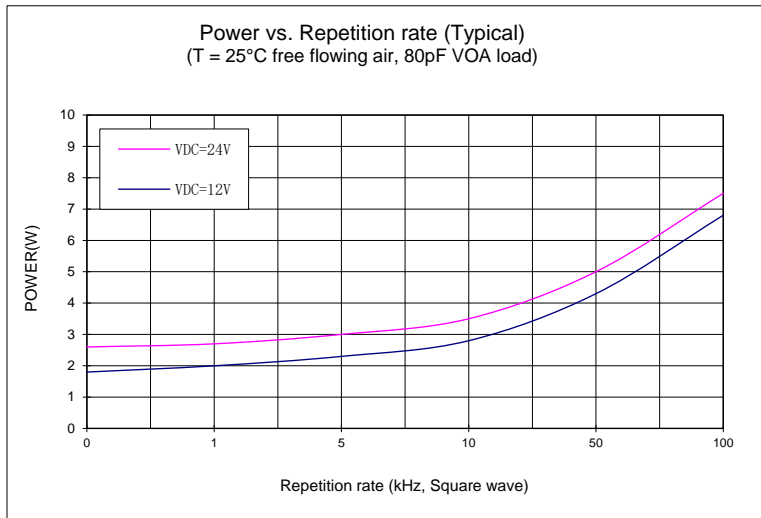
- NS-VOA
- Optical Modulator
- Variable beam splitter

# DC-100KHz Driver for NanoSpeed™ VOA

## Response Time



## Power Consumption



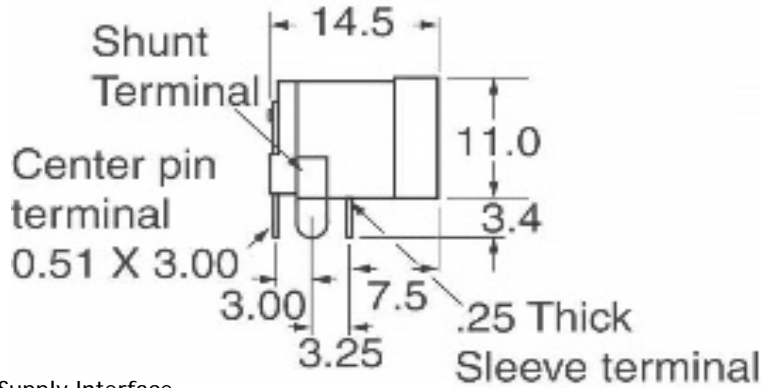
## Ordering Information

NVDR-	1 1	<input type="checkbox"/>	2	<input type="checkbox"/>	1	<input type="checkbox"/> <input type="checkbox"/>	<input type="checkbox"/>
	Type	Repetition		Size		# of VOA	Connector
		DC-100KHz=2 Special=0		3.9"x2.4"x0.6"=2 Special=0		Single VOA =11 Special=0	SMA=2 Special=0

# DC-100KHz Driver for NanoSpeed™ VOA

## Power Connector

P/N: SC1313-ND  
 Power Barrel Connector Jack 2.00mm ID (0.079"),  
 5.50mm OD (0.217") Through Hole, Right Angle



12V Wall Plug DC Power Supply Interface

