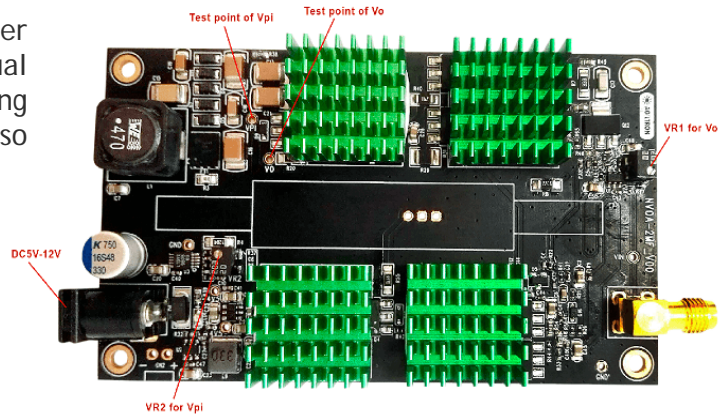


1MHz Driver for Premium NanoSpeed™ Variable Optic Attenuator

Product Description

This NP series of fast-speed driver is designed to control the Premium NS series of solid state variable optic attenuators (VOA). The push-pull output design is especially suitable for driving capacitive VOA loads, assuring the fast response time both on rising and falling of attenuation. The VOA attenuation is controlled by 0-5V signal input. A wall plug power supply is provided for each driver.

The standard driver controls one individual VOA. Drivers controlling multiple VOAs are also available



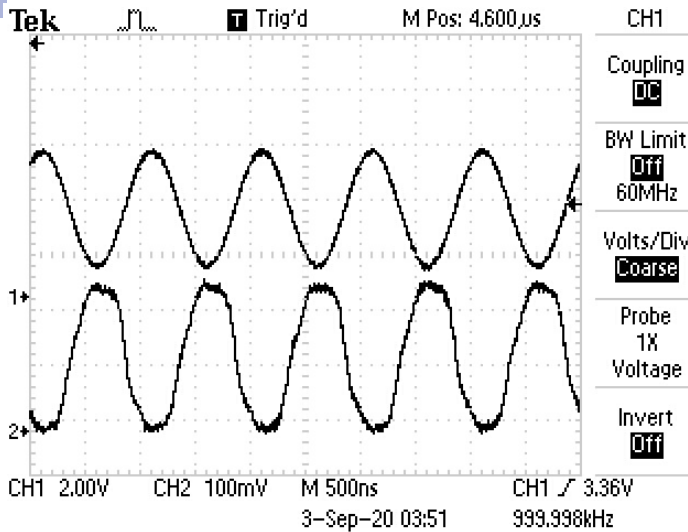
Electrical Specifications

Parameter	Conditions	Min	Typ	Max	Units
DC supply	Operating Range	5.0	--	12.0	V
Signal input	Power supply = 12V	0	--	5	V
Input frequency	Power supply = 12V	0	--	1	MHz
Input impedance		10K	--	60K	Ohm
Input swing	100% output depth	0~3.6	0~5	0~10	V
Power consumption	frequency @				
	100KHz	--	1.5	--	W
	500KHz	--	2.5	--	
	1MHz	--	4	--	
Output rising time	@100KHz	--	250	350	ns
Output falling time	@100KHz	--	250	350	ns
Output voltage		120	--	180	V

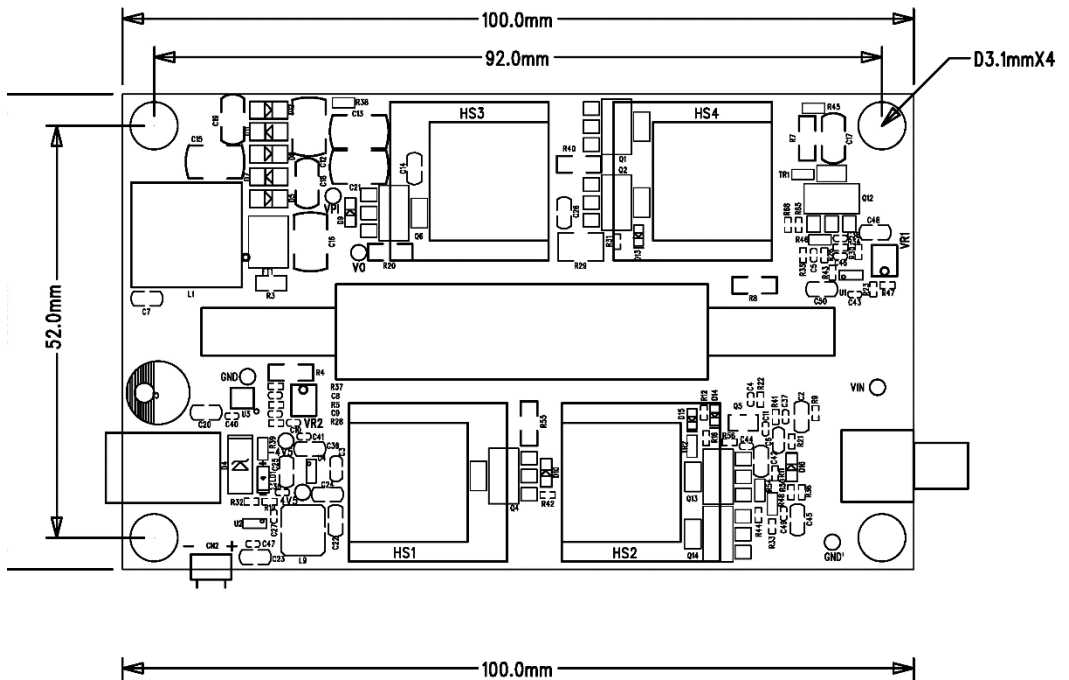
Features

- Fast response
- High repetition rate
- Push-Pull output design
- Low quiescent power consumption

Response (1MHz) up electric, bottom optic



Mechanical Dimension



Ordering Information

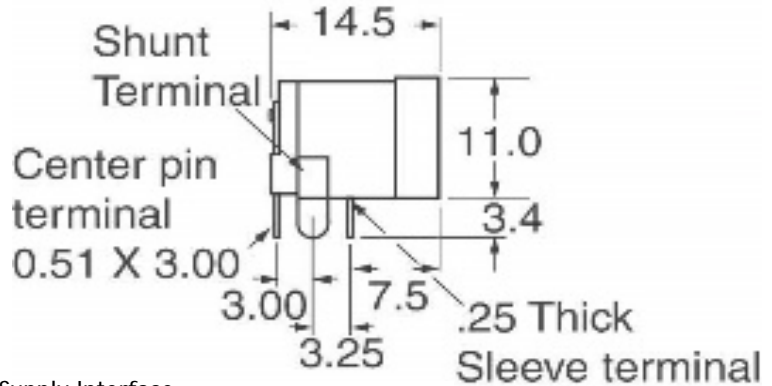
NVDR-	1 P	H	2	H	1	1 1	<input type="checkbox"/>
	Type	Repetition		Size	DC power	# of VOA	Connector
	NP type, single stage = 1P	DC - 1MHz = H		Standard =H Special=0	12 V =1 5V = 2	Single VOA = 11 Special = 0	SMA=2 Special=0

1MHz Driver for Premium NanoSpeed™ Variable Optic Attenuator

Power Connector

P/N: SC1313-ND

Power Barrel Connector Jack 2.00mm ID (0.079"),
5.50mm OD (0.217") Through Hole, Right Angle



12V Wall Plug DC Power Supply Interface

