

100 kHz Repetition Rate NanoSpeed™ Switch Driver

(Protected by U.S. patent 7,403,677B1 and pending patents)

Product Description

The NS switch driver provides a convenient way to use the NS series electro-optical switches, which act as a pure capacitive load. Each driver is tuned to a specific device mounted on the PCB. To operate, the customer only needs to plug in the accompanying DC power supply and input a control signal through the golden SMA connector. The switch will be activated as the input voltage exceeds 3V with less than 1µA draw, compatible with 3.3V CMOS/TTL. We produce boards to control multiple NS switches with individual SMA connectors. No computer-based control software is available for such a high-speed operation.



Performance Specifications

Specs	Min	Typical	Max	Unit
Rise Time (Tr) ^[1]		85	100	ns
Fall Time (Tf) ^[2]		85	100	ns
Repetition Rate	DC		100	kHz
Pulse Width	1.0			µs
Control Input (TTL pulse)	0		5	V
Power Consumption			5	W
Power Current	0.08		0.4	A
Power Supply		12		V
Operating Temperature	-5		70	°C
Storage Temperature	-40		80	°C
Electrical Connector	SMA			
Board Size	3.5(L)x1.25(W)			Inch

Note:

[1]: Optic Intensity Change from 10% to 90% intuits;

[2]: Optic Intensity Change from 90% to 10% intuits;

[3]: Switch Speed (Rise): Duration from begin of electronic signal to end of optic intensity change;

[4]: Switch Speed (Fall): Duration from begin of electronic signal to end of optic intensity change.

Features

- High speed
- High repetition
- High output voltage
- Wide input voltage range
- TTL/CMOS control
- Push-Pull output design
- Low power consumption
- Compact and low cost

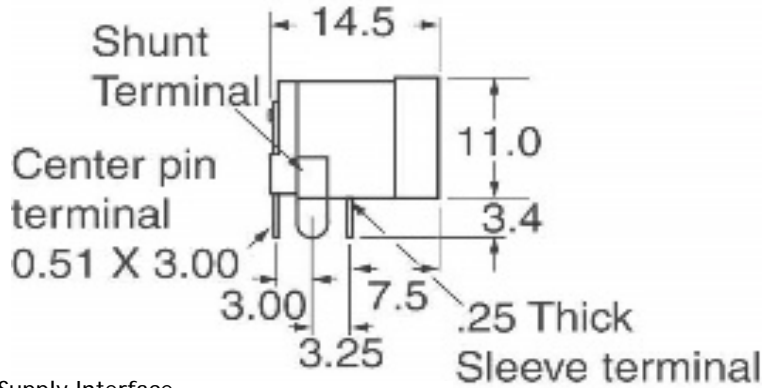
Applications

- Optical Switch
- EO device driver

100 kHz Repetition Rate NanoSpeed™ Switch Driver

Power Connector

P/N: SC1313-ND
 Power Barrel Connector Jack 2.00mm ID (0.079"),
 5.50mm OD (0.217") Through Hole, Right Angle



12V Wall Plug DC Power Supply Interface

