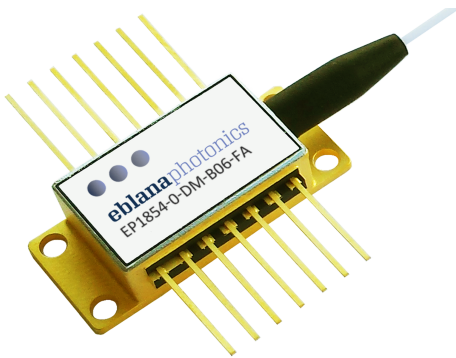


1854nm DM LASER

EP1854-DM-B

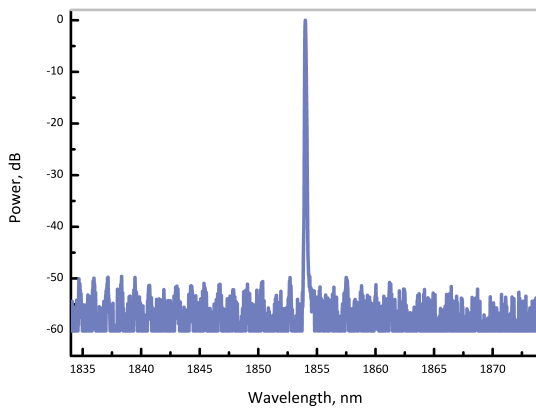


eblanaphotonics

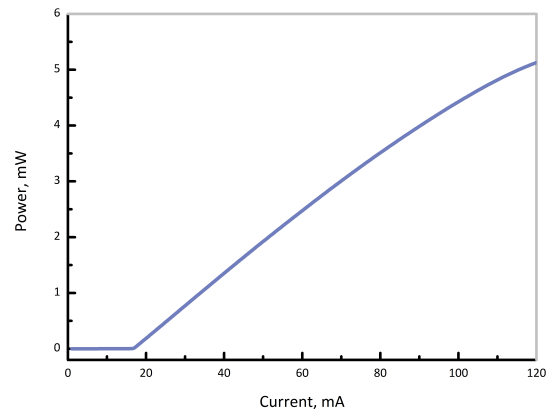


PRECISION MOISTURE DETECTION

Eblana Photonics EP1854-DM-B laser, available in a range from 1845 - 1920nm, is designed for highly sensitive H₂O detection. Eblana's patented Discrete-Mode (DM) technology enables mode-hop free tuning and excellent SMSR, while at the same time maintaining cost effectiveness.



Typical optical spectrum at 25° C



Output power as a function of bias current

ELECTRO-OPTICAL CHARACTERISTICS* (T_{SUB} = 25° C)

PARAMETER	SYMBOL	MIN	TYP	MAX	UNIT
Available Wavelength Range	λ	1850	1854	1915	nm
Wavelength Tolerance	λ_{spec}	$\lambda - 1$	λ	$\lambda + 1$	nm
Side Mode Supression Ratio	SMSR	30	40	-	dB
Threshold Current	I_{th}	-	25	35	mA
Output Power in fiber	P_f	2	3	-	mW
Optical linewidth	Δf	-	-	2	MHz
Temperature Tuning Coefficient	T_λ	0.07	0.1	-	nm/°C
Current Tuning Coefficient	I_λ	5	10	-	pm/mA
Slope Efficiency	SE	0.03	0.05	-	mW/mA
Thermistor Resistance	R_T	9.5	10	10.5	k Ω
Thermistor Temp. Coefficient	C	-	-4.4	-	%/°C

*CW bias unless otherwise stated

©Eblana Photonics Series 1854-DM-B Rev 2.1



eblanaphotonics

www.eblanaphotonics.com

Sales@eblanaphotonics.com

Dublin, Ireland

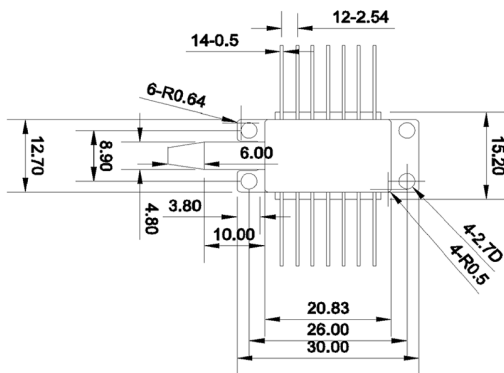
ABSOLUTE MAXIMUM RATINGS

PARAMETER	SYMBOL	MIN	TYP	MAX	UNIT
Forward Current	I_f	-	-	140	mA
Forward Voltage	V_f	-	1.3	1.6	V
TEC Current	I_{TEC}	-	-	1	A
Reverse Voltage LD	V_r	-	-	2.0	V
Case Temperature*	T_{Case}	-20	-	65	°C
Chip Submount Temperature	T_{Sub}	0	-	50	°C
Storage Temperature	$T_{storage}$	-40	-	85	°C

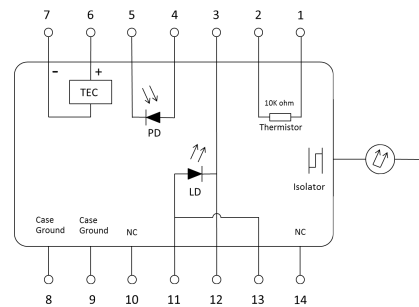
*For $T_{sub} < 25^{\circ}C$, Max Case Temperature should be derated to $T_{Case,Max} = T_{sub} + 40^{\circ}C$

PACKAGING

The EP1854-DM-B product series is offered in a 14-pin Butterfly package - Inquire for other packaging options. The standard package pinout is shown below, variations may be requested. mPD not included as standard.



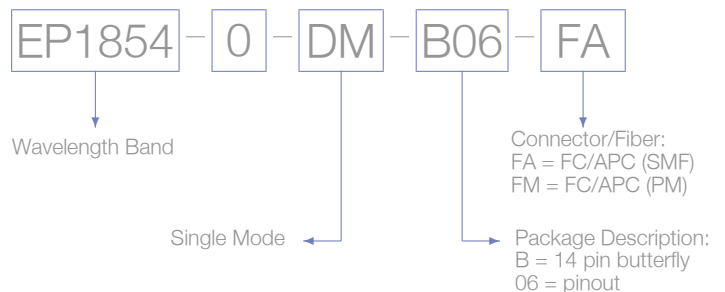
14-pin butterfly schematic



Standard "Pinout 01" option

HOW TO ORDER

Construct your part number using the following example and email your order to sales@eblanaphotonics.com, or call +353 1 675 3228.



Laser Safety

This is a Class 3R Laser Product as defined by International Standard IEC 60825-1, Edition 3. Invisible Laser radiation is emitted from the end of the fiber or connector. Avoid direct eye exposure to the beam. Laser safety labels are not attached to the module due to space limitations but instead are affixed to the outside of the shipping carton.

©Eblana Photonics 2017. Eblana Photonics Reserves the right to amend this document at any time, without prior warning. ©Eblana Photonics Series 1854-DM-B Rev 2.1