



## Full K Band Coax Isolator, 1.5 dB Insertion Loss, 15 dB Isolation

### Description:

**Model SNC-1832731515-SFSF-I7** is a full K band coaxial isolator that covers the frequency range of 18 to 26.5 GHz. The full band isolator is designed and manufactured to provide an insertion loss of 1.5 dB typical with good flatness. The isolator also offers a moderate isolation of 15 dB for system integration and a high-power handling. The RF interface of other type of connector combinations are also offered under different model numbers.



### Features:

- Broad Band Operation
- High Power Handling
- Moderate Isolation

### Applications:

- Port Isolation
- Instrumentation
- Module Integration

### Electrical Specifications:

Parameter	Minimum	Typical	Maximum
Frequency	18.0 GHz		26.5 GHz
Insertion Loss		1.5 dB	1.7 dB
Isolation		15 dB	
Return Loss		14 dB	
Forward Power Handling			10 W (CW)
Reverse Power Handling			1 W (CW)
Impedance		50 Ω	
Specification Temperature		+25 °C	
Operating Temperature	-40 °C		+85 °C

### Mechanical Specifications:

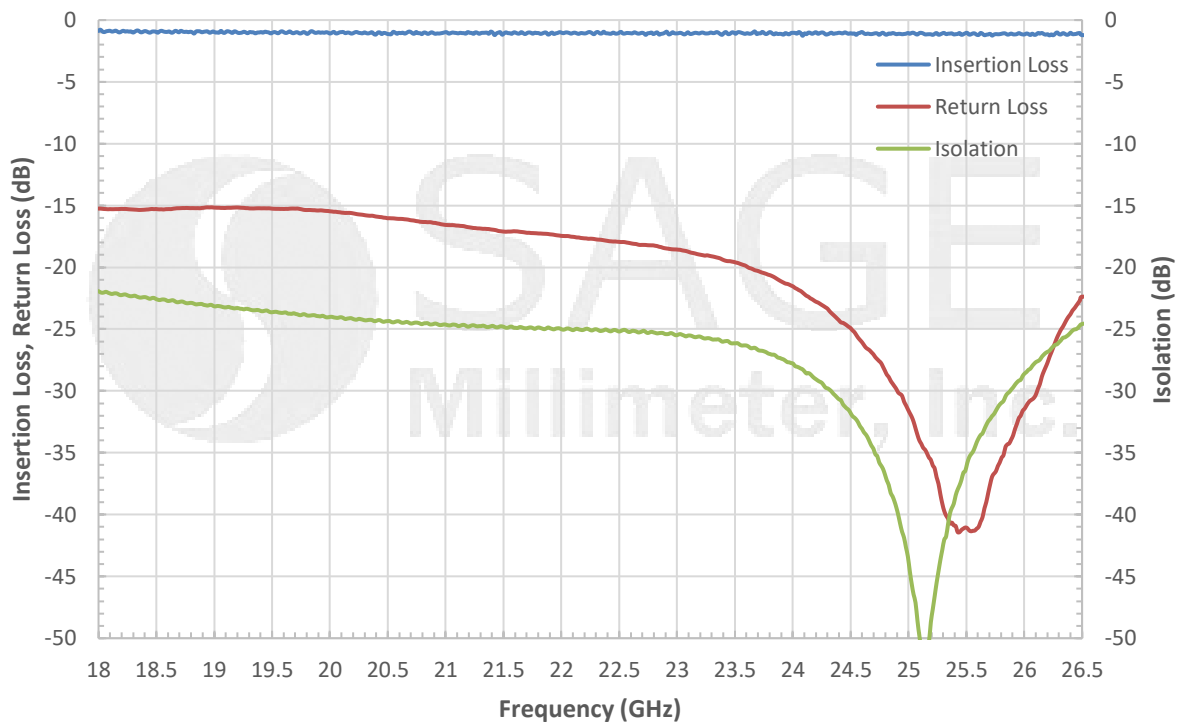
Item	Specification
Input Connector	SMA (F) Connector
Output Connector	SMA (F) Connector
Material	Copper
Finish	Nickel Plated
Weight	0.71 Oz
Size	0.39" (L) x 1.10" (W) x 0.47" (H)
Outline	NC-IK-DB2



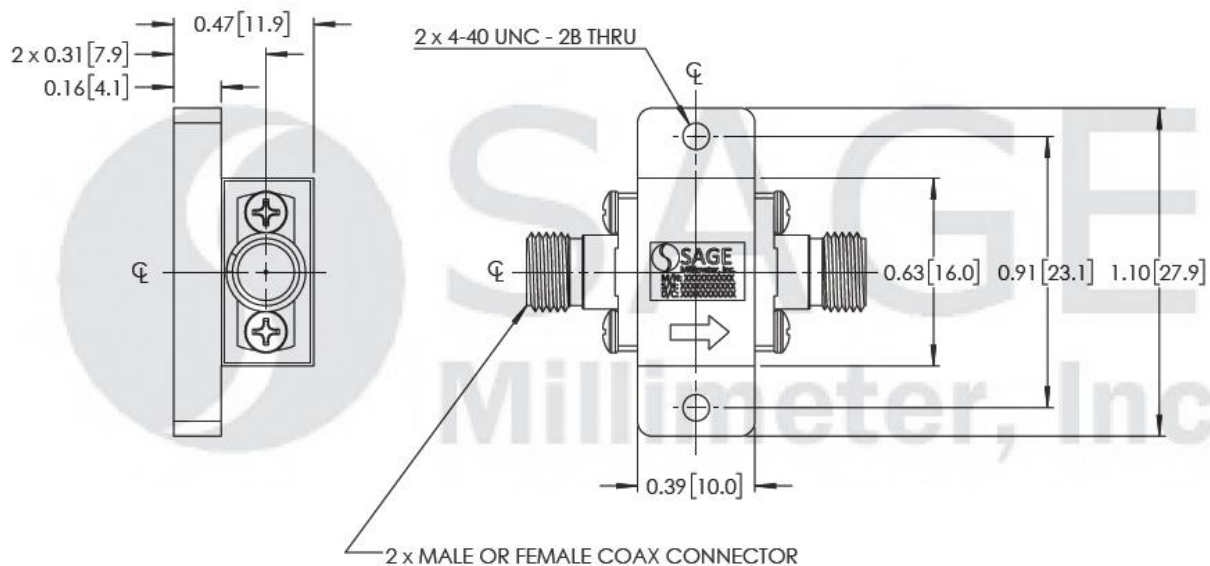


## Full K Band Coax Isolator, 1.5 dB Insertion Loss, 15 dB Isolation

Measured Performance Vs Frequency



**Mechanical Outline:** (Unless otherwise specified, all dimensions are in inches [millimeters])



## Full K Band Coax Isolator, 1.5 dB Insertion Loss, 15 dB Isolation

### Note:

- All data presented is collected from a sample lot. Actual data may vary unit to unit, slightly.
- All testing was performed under +25 °C case temperature.
- Other input/output connector type combinations are available under different model numbers.
- SAGE Millimeter, Inc. reserves the right to change the information presented without notice.

### Caution:

- Exceeding absolute maximum ratings will damage the device.
- The device is magnetic field sensitive. Always keep magnetic fields a minimum of 6 inches away.
- Proper torque,  $8.0 \pm 0.15$  inch-pounds ( $0.90 \pm 0.02$  Nm), should be applied. **SAGE Millimeter torque wrench, model SCH-08008-S1, is highly recommended.**

