



## Full Ka Band Coax Circulator, 1.6 dB Insertion Loss, 14 dB Isolation

### Description:

**Model SNC-2734031614-KFKFKF-C7** is a Ka band, coaxial circulator that covers the frequency range of 26.5 to 40 GHz. The coaxial circulator is designed and manufactured to provide a low insertion loss of 1.6 dB typical with good flatness. The circulator also offers a moderate isolation of 14 dB for system integration. The input and output ports are 2.92 mm (K) female connectors. The RF interface of other type of connectors, such as 2.92 mm (M) connectors is also available under different model numbers.



### Features:

- Full Band Operation
- 10 Watt Power Handling
- Moderate Isolation

### Applications:

- Port Isolation
- Instrumentation
- Module Integration

### Electrical Specifications:

Parameter	Minimum	Typical	Maximum
Frequency	26.5 GHz		40 GHz
Insertion Loss		1.6 dB	
Isolation		14 dB	
Return Loss		13 dB	
Impedance		50 Ω	
Power Handling			10 W (CW)
Specification Temperature		+25 °C	
Operating Temperature	-40 °C		+80 °C

### Mechanical Specifications:

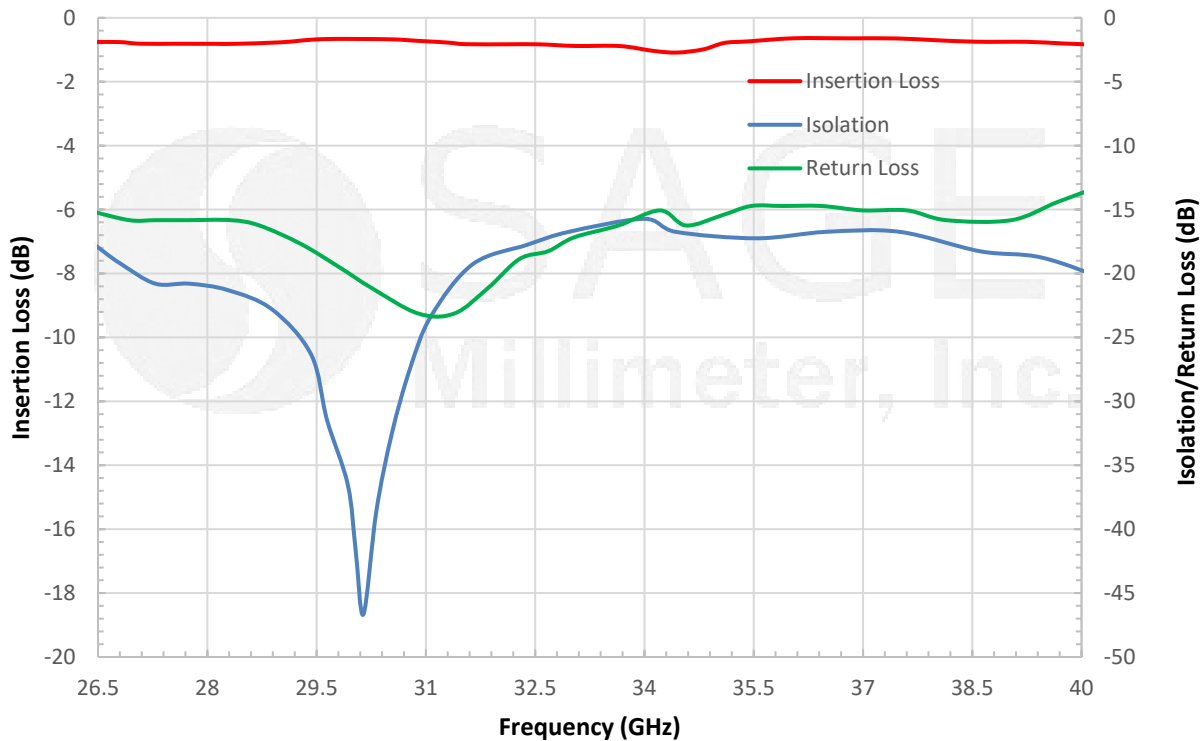
Item	Specification
Connector 1	K(F)
Connector 2	K(F)
Connector 3	K(F)
Body Material	Copper
Body Finishing	Nickel Plated
Connector Material	Stainless Steel
Connector Finishing	Passivation
Weight	1.0 Oz
Size	0.66" (W) x 0.91" (L) x 0.98" (H)
Outline	NC-CA-DB1
Mating Cycles	500



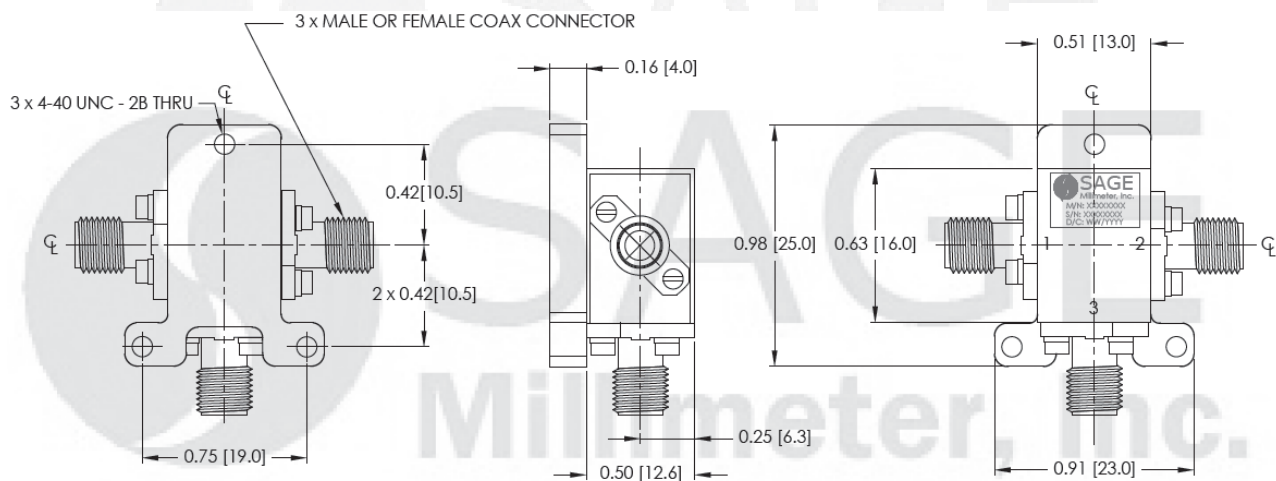


## Full Ka Band Coax Circulator, 1.6 dB Insertion Loss, 14 dB Isolation

### Typical Performance vs. Frequency



### Mechanical Outline: (Unless otherwise specified, all dimensions are in inches [millimeters])



#### Note:

- All data presented is collected from a sample lot. Actual data may vary unit to unit slightly.
- Other mechanical configurations are available under different model numbers.
- SAGE Millimeter, Inc. reserves the right to change the information presented without notice.



www.sagemillimeter.com | 3043 Kashiwa Street, Torrance, CA 90505  
 Phone: 424-757-0168 | Fax: 424-757-0188 | Email: sales@sagemillimeter.com

## Full Ka Band Coax Circulator, 1.6 dB Insertion Loss, 14 dB Isolation

### Caution:

- Exceeding absolute maximum ratings will damage the device.
- The device is magnetic field sensitive. Always keep magnetic fields a minimum of 6 inches away.
- Proper torque,  $8.0 \pm 0.15$  inch-pounds ( $0.92 \pm 0.05$  Nm), should be applied. **SAGE Millimeter torque wrench, model SCH-08008-S1, is highly recommended.**

