

F-THETA LENS

PRODUCT INTRODUCTIN

Han's scanner has an experienced optical design team ,and specializing in optical lens design and customized optical design of different applications .After continuously optimized over time, the performance and quality of our lens have been continuously improved ,and have reached the international advanced level .Besides general marking ,our products are also applied to many high-end manufacturing industries ,such as consumer electronics ,micromachining, lithium battery industry ,photovoltaic industry and LAM industry .

APPLICATION SCENARIOS



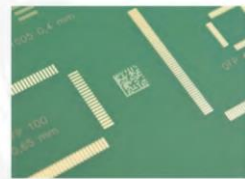
精密切割、焊接、清洗
Precision cutting, Welding, Cleaning



激光微加工
Laser Micromachining



锂电行业加工
Lithium battery industry processing

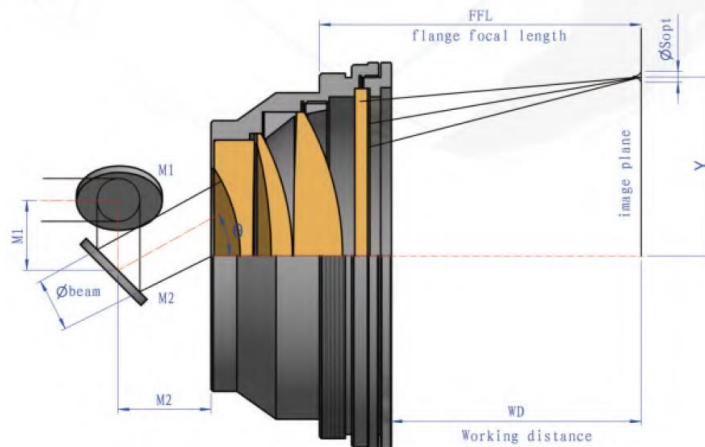


PCB、FPC激光打标
For PCB, FPC laser marking

※以上图片来源于网络
The above pictures are from the internet

□ 外形尺寸图

TECHNICAL DRAWING



Green F-Theta lens											
Specification model	focal length(mm)	Clear aperture(m)	Scanning angle	Marking range(mm)	Applicable wavelength(Focus spot (μ m)	Dimensions (mm)	distance of M1	distance of M2	Working distance(m)	Connection method
MF061004GY	64	ϕ 10	\pm 25°	40*40	532	7	ϕ 90* 62	12.6	16.75	74.1	M85*1.0
GF071004GY	74	ϕ 10	\pm 21.5°	40*40	532	8	ϕ 90* 70	12.6	15.5	91.2	M85*1.0
MF101005GY	100	ϕ 10	\pm 25°	50*50	532	10	ϕ 115*73	12.6	15.2	110	M85*1.0
GF121206GY	115	ϕ 14	\pm 21°	65*65	532	8.5	ϕ 112* 93	14.7	23.5	147.2	M85*1.0
MF161610GOO	164	ϕ 16	\pm 25°	100*100	532	10	ϕ 96* 50	14.7	22.5	188.5	M85*1.0
MF252016GOO	258	ϕ 20	\pm 25°	160*160	532	13	ϕ 90*46	26.5	18.5	287.5	M85*1.0
HF481630GOO	480	ϕ 16	\pm 25°	315*315	532	30	ϕ 95*53	14.7	20.5	482	M85*1.0

UV laser F-theta lens											
Specification model	focal length(mm)	Clear aperture(m)	Scanning angle	Marking range(mm)	Applicable wavelength(Focus spot (μ m)	Dimensions (mm)	distance of M1	distance of M2	Working distance(m)	Connection method
GF101205UVVOY	100	ϕ 12	\pm 22°	55*55	355	7	ϕ 90* 65	14.7	15	123	M85*1.0
HF161010UVO	161	ϕ 10	\pm 25°	100*100	355	10	ϕ 90* 53	12.6	15.8	196	M85*1.0
GF251016UV	254	ϕ 10	\pm 25°	165*165	355	17	ϕ 95* 54	12.6	21.35	309.5	M85*1.0

IR Laser F-theta lens											
Specification model	focal length(mm)	Clear aperture(m)	Scanning angle	Marking range(mm)	Applicable wavelength(Focus spot (μ m)	Dimensions (mm)	distance of M1	distance of M2	Working distance(m)	Connection method
GF101005RY	100	ϕ 12	\pm 25°	55*55	1030-1080	16	ϕ 90* 70.5	12.6	16.5	122.5	M85*1.0
MF161210IR	164	ϕ 12	\pm 25°	100*100	1030-1080	28	ϕ 90* 42	12.6	22.25	185.5	M85*1.0
GF161010IR	164	ϕ 10	\pm 25°	100*100	1030-1080	30	ϕ 90* 53	12.6	15.35	203.5	M85*1.0
GF161410IR	164	ϕ 14	\pm 25°	100*100	1030-1080	25	ϕ 95* 63	14.7	15.4	208.2	M85*1.0
GF251416SIR	254	ϕ 14	\pm 25°	165*165	1064	35	ϕ 105* 63.5	17	22	313	M85*1.0
F251618IR	258	ϕ 16	\pm 27°	180*180	1030-1080	32	ϕ 112* 56	16.5	29.8	299	M85*1.0
GF271417IR	275	ϕ 14	\pm 25°	170*170	1064	40	ϕ 120* 71	17	22.85	335.7	M85*1.0
F351825IR	354	ϕ 18	\pm 29°	250*250	1030-1080	37	ϕ 140* 64	16.5	24.2	407	M85*1.0
F392425R	390	ϕ 24	\pm 25°	250*250	1030-1080	32	ϕ 95* 46	35	25.7	420.8	M85*1.0

IR Laser High(Medium) Power F-theta lens											
Specifications	focal length(mm)	Clear aperture(m)	Scanning angle	Marking range(mm)	Applicable wavelength(Focus spot (μ m)	Dimensions (mm)	distance of M1	distance of M2	Working distance(m)	Connection method
XSF173010RY	170	ϕ 30	\pm 25°	105*105	650/1064	10	ϕ 147* 111	35.6	29	194	M112*1.0
DGF253013IRWAT	254	ϕ 30	\pm 20°	135*135	1030-1080	20	ϕ 150* 90	36	28.5	316.5	Flange
DGF333016IRWAT	330	ϕ 30	\pm 21°	175*175	1030-1080	23	ϕ 162* 92	36	30	417	Flange
DGF423021IRWAT	420	ϕ 30	\pm 21°	225*225	1064	30	ϕ 162* 91	37	29	514.5	Flange
DGF463023IRWAT	460	ϕ 30	\pm 21°	245*245	1030-1080	30	ϕ 162* 91	37	29	565	Flange
MDF253016IR	254	ϕ 30	\pm 23.5°	160*160	1064	17	ϕ 150* 180	37	30	303.5	M112*1.0
MDF333020IR	330	ϕ 30	\pm 23.5°	200*200	1064	22	ϕ 150* 180	37	29.6	461.3	M112*1.0
MDF463028IR	460	ϕ 30	\pm 23.5°	280*280	1064	30	ϕ 150* 182	37	30	529.5	M112*1.0