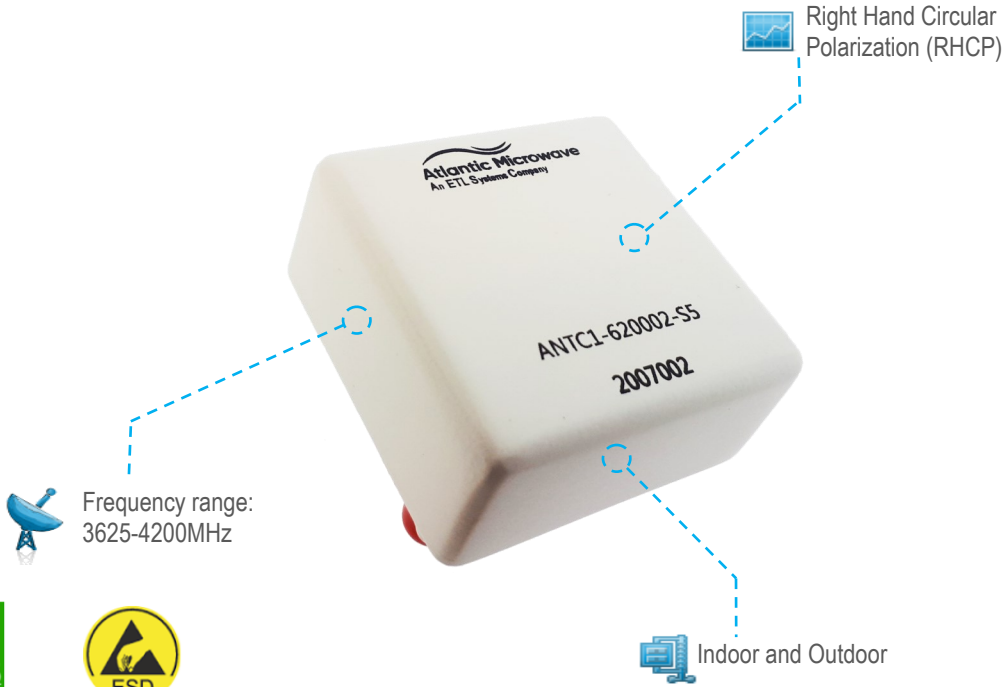


**C Band Patch Antenna**

3625-4200MHz

- High gain
- Right-hand circular polarization
- Low VSWR
- Commercial Communications
- Security and Defence



RF Parameters	
Frequency Range (MHz)	3625-4200
Gain (dBi)	7.0±1.5
3dB Beamwidth (deg)	+/-30 min
Polarization	Right Hand Circular Polarization (RHCP)
VSWR	2.0:1 max
Impedance (Ω)	50 Ohms
RF Connector	SMA Female
Side lobes (dB)	11dB

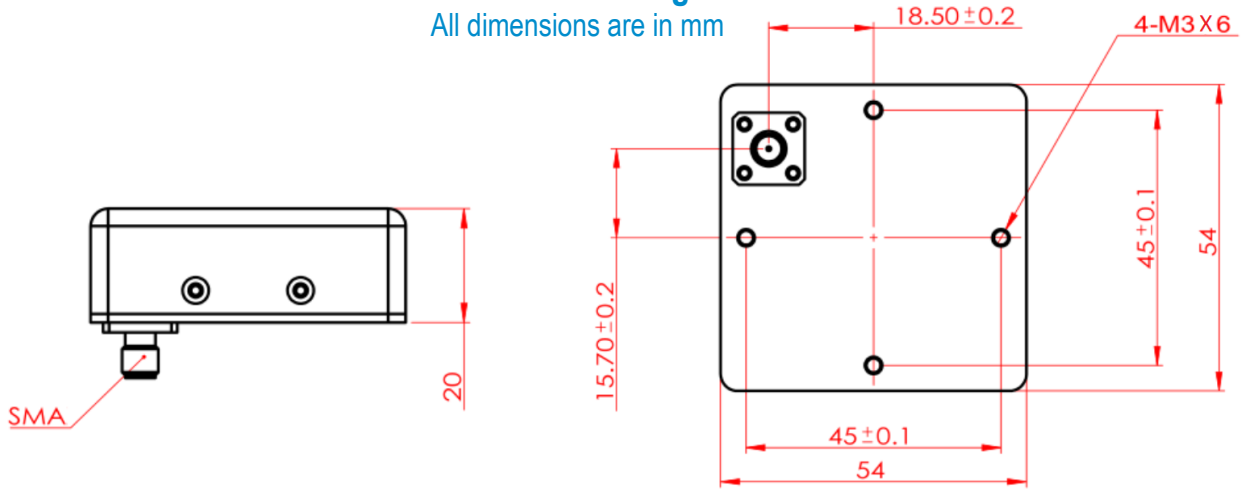
Environmental	
Operating Temperature	-20°C to +70°C
Location	Indoor and Outdoor

Mechanical	
Dimensions (mm)	54 x 54 x 20
Weight (Kg)	0.09

Note 1: The specification provided is at nominal bias voltage and at 25°C unless otherwise specified.  
 Note 2: The specification is subject to regular reviews and will be updated from time to time as part of our continuing product development and improved spec accuracy.  
 Note 3: Operation beyond the quoted limits stated above may cause instantaneous and permanent damage.



**Outline Drawing:**  
All dimensions are in mm



**Typical RF Performance**

**Pattern**

