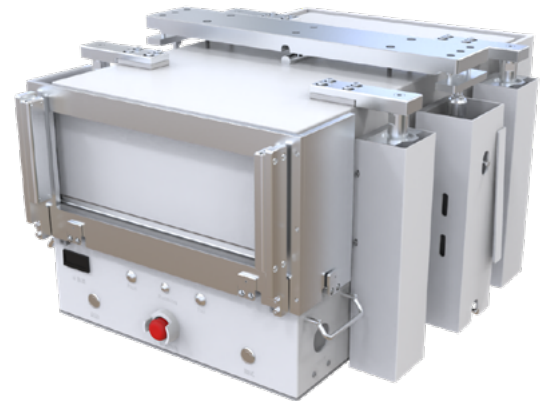


Features

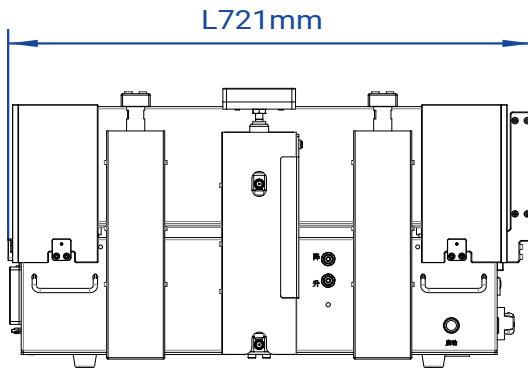
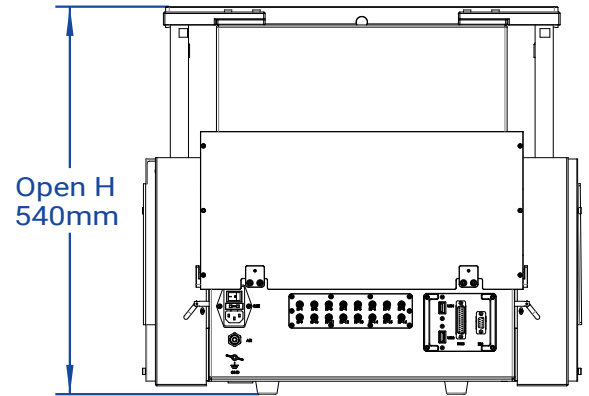
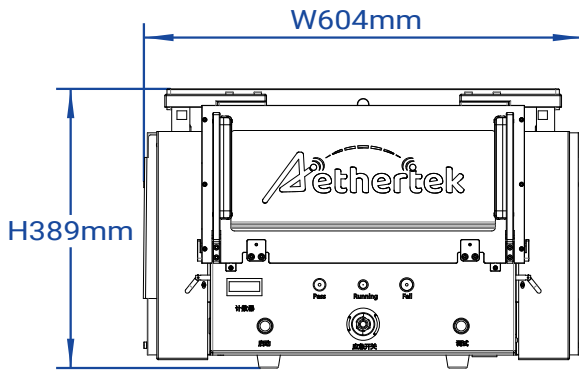
- Shielding performance: >80dB between 100MHz~6GHz
- Instrument integration capability with different setup configurations
- Pneumatic control of lid operation & Automatic fixture motions
- EMI filters on all data ports
- Remote operation by RS-232C
- LED light for pass/ fail indication
- Lid down sensor for safety



Mechanical Specifications

Parameters		
Line Voltage	100~240VAC, 50/60Hz	
Data Line Capacity	24VDC 3A(Max)	
Input Air Pressure	0.5MPa	
Dimensions (LxWxH)	Outside, Door Open	721x604x389(mm), 721x604x540(mm)
Weight	58(kg)	

Dimension



RF Shielding

Frequency	Shielding Effectiveness	Unit
500MHz~2000MHz	>80	dB
2000MHz~3000MHz	>80	dB
3000MHz~6000MHz	>80	dB

Ordering Guide

Description	
Conductive Shielding Box	RF shielding box, 1 set
	SMA-F connector, 8 set
	USB Connector, 2 set
	DB25 Pin, 1 set
	DB9 Pin, 2 set

RF Fixture

