

AMG-LP

Low-Profile Direct-Drive Gimbals

Continuous 360° rotation of azimuth and elevation including built-in slip ring

High accuracy angular position and rate capability

Direct-drive brushless servomotors result in zero backlash

Cog-free design for outstanding velocity stability

Accommodate loads up to 200 mm in diameter

Low maintenance and high reliability provide the lowest cost of ownership



Aerotech's AMG-LP (Low Profile) position and rate gimbal mounts provide ultra-precise angular position, rate, and acceleration for development and production testing of a wide range of systems. The AMG-LP series is ideal for directing optics, lasers, antennas, and sensors at high speed to precise pointing angles. Typical applications include missile seeker test and calibration, electro-optical sensor and FLIR testing, optical testing of sensors in a vacuum, and angular testing of inertial sensors such as gyros, MEMS, and accelerometers. The AMG-LP gimbal provides high performance at an affordable price. The finest quality motors, bearings, and encoders are integrated into precision-machined housings to ensure peak performance.

Low Profile

By incorporating our low profile direct-drive rotary stages, the AMG-LP series is capable of speeds and accelerations that are significantly higher than other competing products of this size. These gimbals have a lower profile compared to competing products within given torque ranges. This results in a smaller and more effective gimbal for many applications where beam height and chamber volume are of utmost concern.

Accurate 360° Positioning and Rate Generation

Direct-drive brushless torque motors, with rare-earth magnets and high-accuracy angular transducers, are coupled directly to precision shafts for accurate and smooth 360° continuous motion. The absence of gear trains and other drive mechanisms eliminates position error contributions due to mechanical hysteresis and backlash. Directly-coupled high-resolution position feedback devices ensure highly accurate and repeatable positioning.

A wide-range of performance feedback grades is available. Typical line gimbal resolution ranges from 0.87 to 0.32 μ rad with Aerotech controls. Built-in azimuth slip ring provides for continuous rotation with no cable wrap up.

Mirror and Alternate Payload Accommodation

A variety of mirror cell diameters are available for standard optic applications. We also provide for custom payload attachment solutions for various device interfaces. Each gimbal mirror cell can be modified or replaced with different shaped cells to accommodate sensors or other odd shaped payloads.

AMG LP Series DESCRIPTION

Direct-Drive Motors for Outstanding Control

To maximize positioning and velocity performance, AMG-LP gimbals utilize Aerotech's high torque S-series brushless, slotless servomotors. These motors have all of the advantages of a brushless direct-drive motor — no brushes to wear, no gear trains to maintain,

high acceleration, and high speeds. Since it is a slotless, ironless design, there is zero cogging, meaning there is absolutely no torque ripple. This results in smoother motion throughout travel and more precise positioning. These motors are available in different winding configurations to work with high- or low-voltage power supplies.

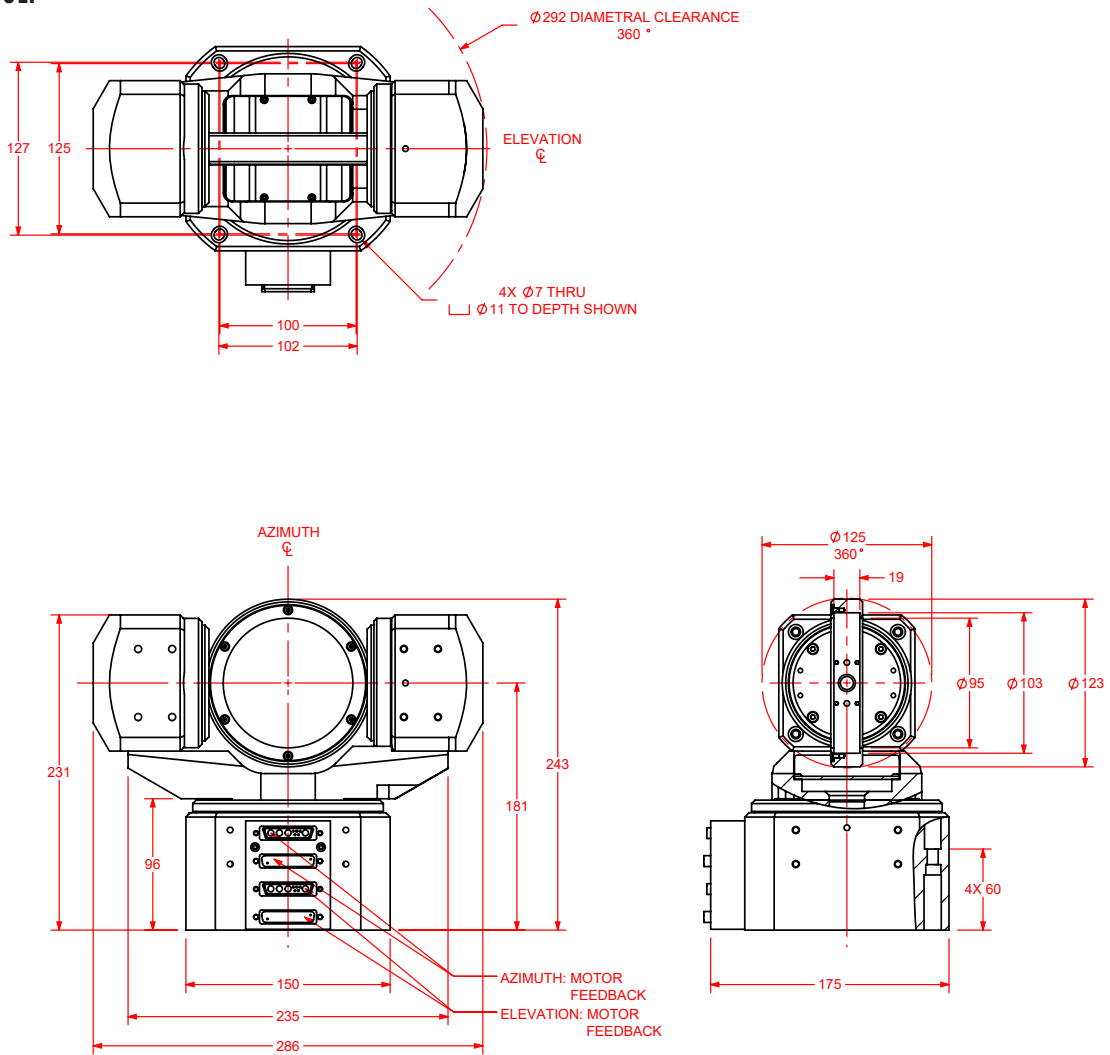
Basic Model		AMG100LP	AMG150LP	AMG200LP
Travel		360° Continuous, AZ/EL		
Maximum Bus Voltage		340 VDC		
Maximum Torque (Continuous)	Azimuth	2.36 N-m	2.36 N-m	5.99 N-m
	Elevation	0.48 N-m	0.48 N-m	2.36 N-m
Clear Aperture Diameter		95 mm	144.3 mm	193.8 mm
Accuracy ⁽¹⁾		±24 to ±192 μrad (±5 to ±40 arc sec)		
AZ Repeatability ⁽²⁾		19.4 μrad (4 arc sec)		
EL Repeatability ⁽²⁾		14.5 μrad (3 arc sec)	19.4 μrad (4 arc sec)	
Maximum Rotary Speed ⁽³⁾		100 rpm		
Maximum Load Capability		6.8 kg	16 kg	
Axis Wobble		97 μrad (20 arc sec)		
Orthogonality		72 μrad (15 arc sec)		
Standard Finish		Black Anodize with Hard-Coated Cell		
Max Component Diameter		103 mm	153.7 mm	205 mm
Nominal Component Thickness		19 mm	30 mm	40.9 mm
Mass (Without Mirror)		9.5 kg	11.1 kg	21.5 kg
Inertia AZ ⁽⁴⁾		0.046 kg•m ²	0.088 kg•m ²	0.275 kg•m ²
Inertia EL ⁽⁴⁾		0.001 kg•m ²	0.004 kg•m ²	0.014 kg•m ²
Height to Mirror Centerline		181 mm	220 mm	254 mm

Notes:

- ±24 μrad calibrated (HALAR); ±192 μrad uncalibrated.
- Repeatability and accuracy are dependent on encoder resolution. To achieve the listed specifications, encoder resolution must be 0.36 arc sec or less.
- Maximum speed based on stage capability; maximum application velocity may be limited by system data rate and system resolution.
- Unloaded inertia.

AMG-LP Series DIMENSIONS

AMG100LP

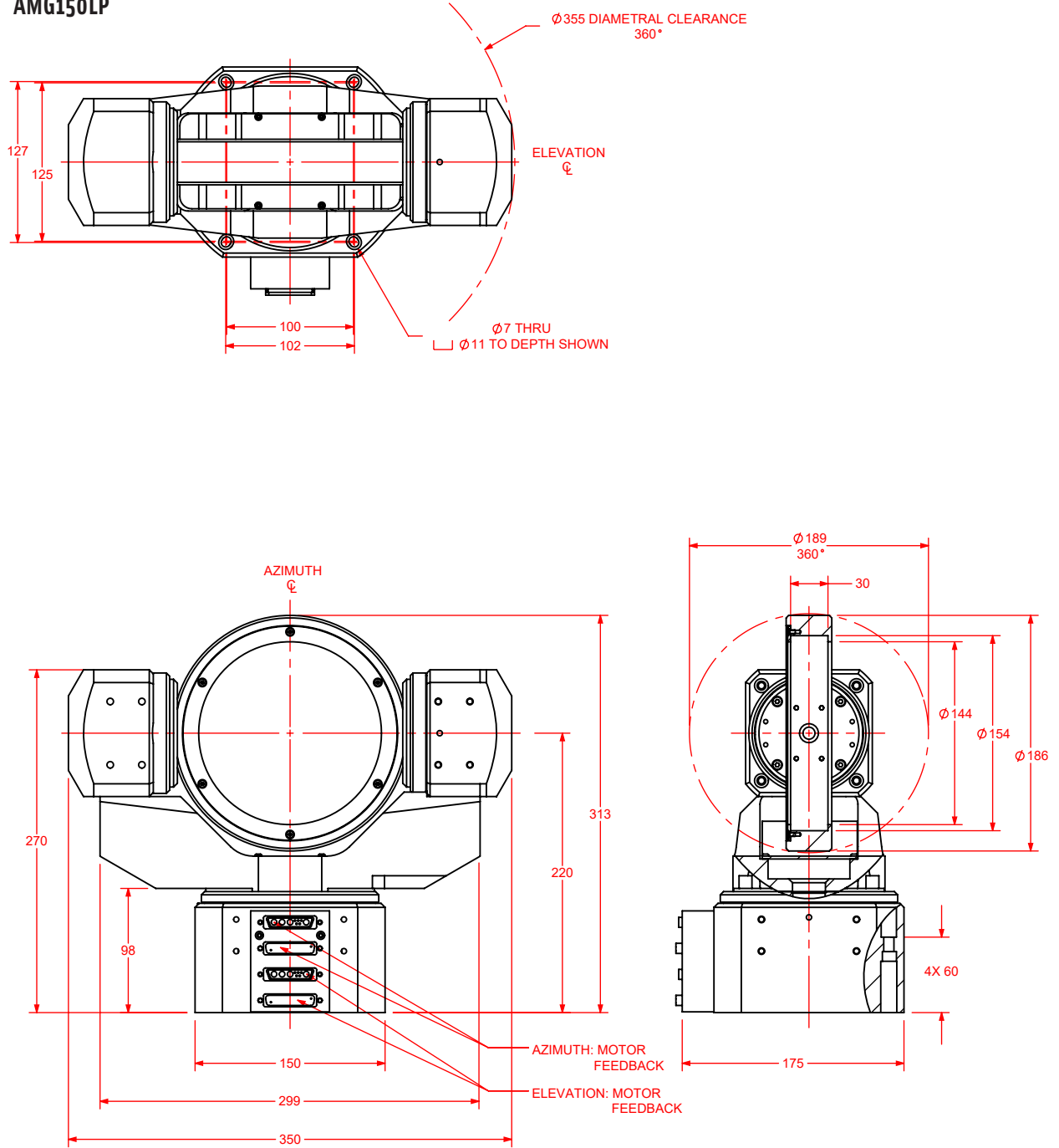


NOTE - THIS PRODUCT IS EXPORT CONTROLLED: ECCN 2B120

DIMENSIONS: MILLIMETERS

AMG-LP Series DIMENSIONS

AMG150LP

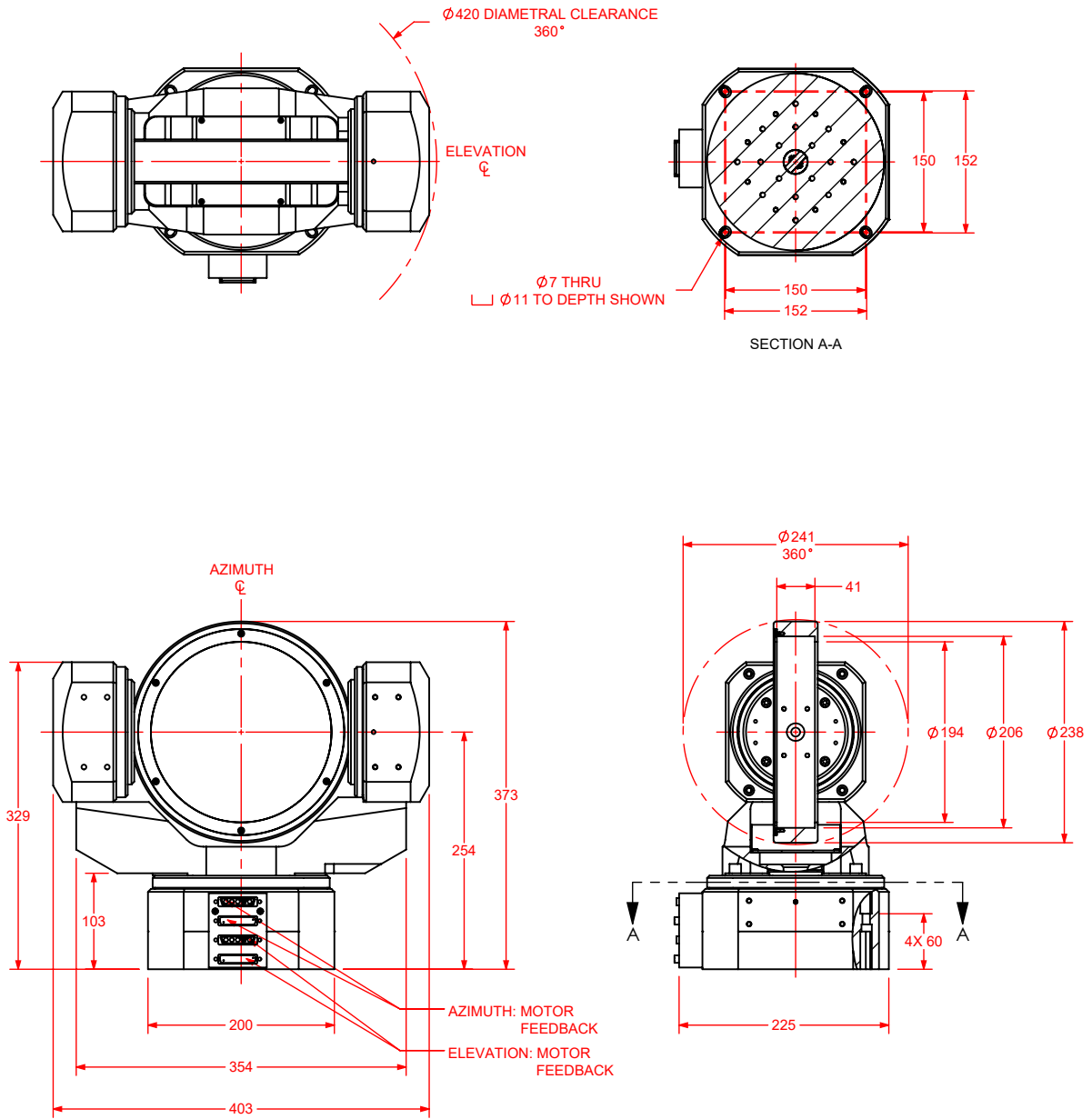


NOTE - THIS PRODUCT IS EXPORT CONTROLLED: ECCN 2B120

DIMENSIONS: MILLIMETERS

AMG-LP Series DIMENSIONS

AMG200LP



NOTE - THIS PRODUCT IS EXPORT CONTROLLED: ECCN 2B120

DIMENSIONS: MILLIMETERS

AMG-LP Series ORDERING INFORMATION

AMG-LP Low Profile Direct-Drive Gimbals

AMG100LP	AMG100 low-profile direct-drive gimbal
AMG150LP	AMG150 low-profile direct-drive gimbal
AMG200LP	AMG200 low-profile direct-drive gimbal

Feedback (Required)

-E1	Incremental encoder, 1 Vpp
-E2	Incremental encoder, TTL, x5 interpolation
-E3	Incremental encoder, TTL, x10 interpolation
-E4	Incremental encoder, TTL, x25 Interpolation
-E5	Incremental encoder, TTL, x50 Interpolation

Metrology (Required)

-PL1	Metrology, uncalibrated with performance plots
-PL2	Metrology, calibrated (HALAR) with performance plots

Integration (Required)

Aerotech offers both standard and custom integration services to help you get your system fully operational as quickly as possible. The following standard integration options are available for this system. Please consult Aerotech if you are unsure what level of integration is required, or if you desire custom integration support with your system.

-TAS	<p>Integration - Test as system</p> <p>Testing, integration, and documentation of a group of components as a complete system that will be used together (ex: drive, controller, and stage). This includes parameter file generation, system tuning, and documentation of the system configuration.</p>
-TAC	<p>Integration - Test as components</p> <p>Testing and integration of individual items as discrete components that ship together. This is typically used for spare parts, replacement parts, or items that will not be used together. These components may or may not be part of a larger system.</p>