



APD Butterfly Receiver (8 pins)

Features

- Long Wavelength Operation
- Industry-standard, 8 Pin Butterfly Package
- Low Dark Current, Built -in TEC, Thermistor
- Excellent Reliability
- RoHs Compliant

Application

- Optical Sensor System
- Optical Communications System
- Test equipment

Description: The product integrates a high linearity InGaAs APD with TEC and thermistor ,low dark current ,high linearity , High responsivity. $M > 40$

Absolute Maximum Ratings (Tc=25°C .unless otherwise specified)

Parameter	Symbol	Min.	Max.	Unit	Test Condition
Storage Temperature	Tstg	-40	+85	°C	-
Operating Temperature	Tc	-40	+85	°C	-

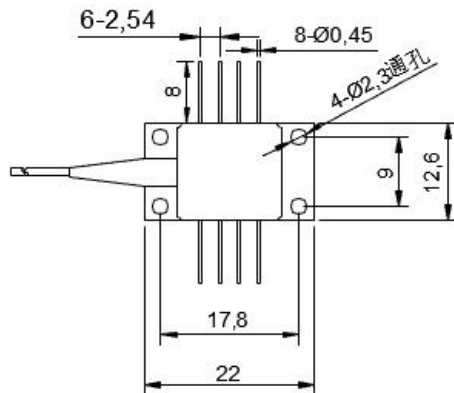
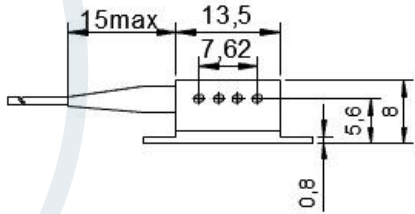


Reverse Voltage	V_r	--	V_{br}	V	-
Thermoelectric Cooler Voltage	V_{TEC}	--	2.6	V	-
Thermoelectric Cooler Current	I_{TEC}	--	1.5	A	-
Soldering Temperature / Time			260 / 10	°C	-

Specifications (electrical & optical characteristics)

Parameter	Symbol	Min	Typ.	Max.	Unit	Test Conditions
Optical Wavelength	λ	1000	-	1600	nm	CW
Breakdown Voltage	V_{br}	50	-	100	V	$I_d = 10 \mu A, T_c = 25 \text{ }^\circ C$
Dark Current	I_d	-	5	25	nA	$T_c = 25 \text{ }^\circ C, V_r = 0.9 V_{br}$
Responsivity	R_e	-	0.85	-	A/W	$\lambda = 1310 \text{ nm}, V_r = 0.9 V_{br}, 25 \text{ }^\circ C$
TEC Current	I_{TEC}	-	-	1500	mA	$V_r = 0.9 V_{br}, 25 \text{ }^\circ C$
Cutoff frequency	f_c	2.5	3.0	-	GHz	$V_r = 0.9 V_{br}, 25 \text{ }^\circ C$
Capacitance	C	-	0.38	0.5	pF	$F = 1 \text{ MHz}, V_r = 0.9 V_{br}$
Thermistor B-Value		-	3970	-	K	$25 \text{ }^\circ C / 85 \text{ }^\circ C$

Dimensions(mm)



Pin Assignment

Pin	Description
1	TEC (+)
2	Thermistor
3	Thermistor
4	APD Anode
5	APD Cathode
6	NC
7	NC
8	TEC (-)

Order Information

GTB9001



Please let us know your request details before order.



Customize for you

