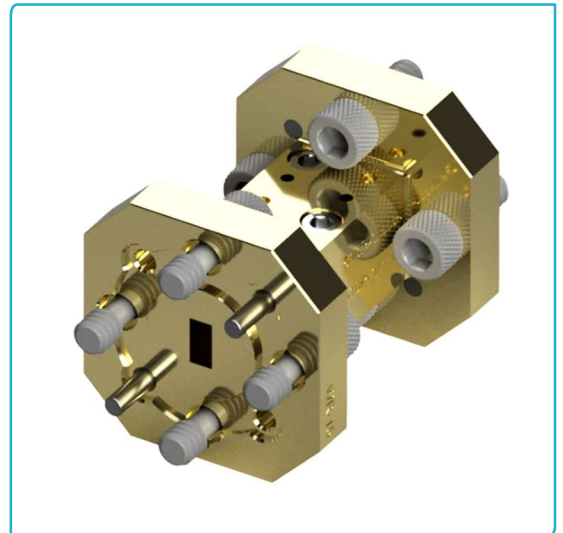



High precision straight Waveguide Section

510x is a family of straight waveguide sections based on ACST high precision manufacturing technology.

Covers range of frequencies **from 50 to 1700 GHz**. Exhibits low insertion loss across the frequency band.



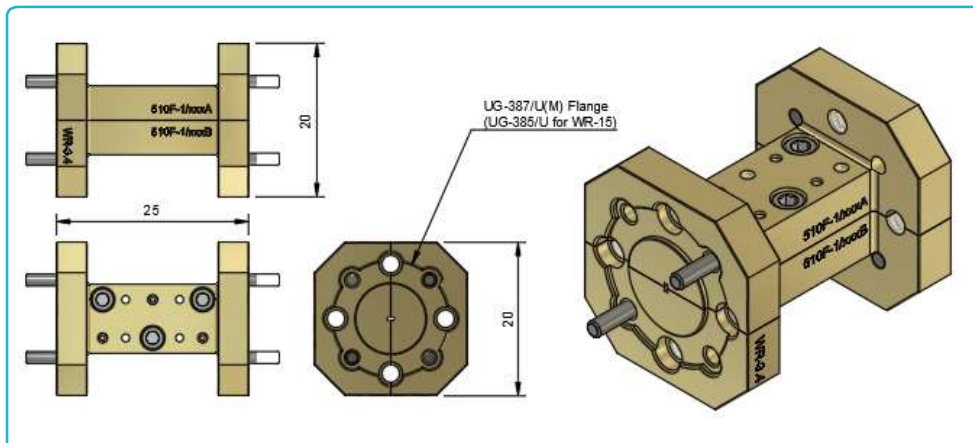
Technical Specification

PRODUCT	510R	510S	510A	510B	510C	510D	510E	510F	510G	510H
Band	WR-15	WR-12	WR-10	WR-8	WR-6.5	WR-5.1	WR-4.3	WR-3.4	WR-2.8	WR-2.2
Frequency Min [GHz]	50	60	75	90	110	140	170	220	260	330
Frequency Max [GHz]	75	90	110	140	170	220	260	330	400	500
Width [mm]	20									
Height [mm]	20									
Length [mm, ±0.05] *	25									
Insertion loss (S12)	0.7 ± 0.2			1 ± 0.2			1.2 ± 0.2		1.5 ± 0.2	
Material and Finish	Gold plated brass									
PRODUCT	510J	510K	510L	510M	510N	510O				
Band	WR-1.9	WR-1.5	WR-1.2	WR-1	WR-0.8	WR-0.65				
Frequency Min [GHz]	400	500	600	750	900	1100				
Frequency Max [GHz]	600	750	900	1100	1400	1700				
Width [mm]	20									
Height [mm]	20									
Length [mm, ±0.05] *	25			25						
Insertion Loss [dB]	1.7 ± 0.2		2 ± 0.2		2.5 ± 0.2					
Material and Finish	Gold plated brass									

* Custom length sections available upon request (e.g. 50mm)

High precision straight Waveguide Section

Outline Dimensions



Order information

- Please indicate product name and type.
- Please indicate desired optional features

Notes

- > All plotted data represent typical values. The actual data may vary from unit to unit.

Caution

- > Any foreign body inserted into the waveguide will cause a loss of performance and may damage the device.



ACST GmbH reserves the right to make changes to the product or information contained herein without notice. Visit www.acst.de for additional data sheets and product information.