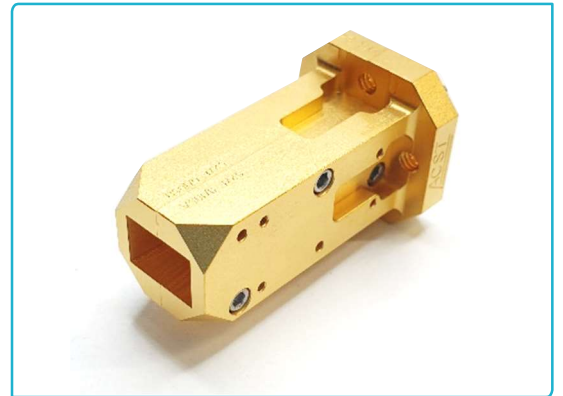



High precision waveguide Pyramidal Horn Antenna

527x is a family of passive pyramidal horn antennas based on ACST high precision manufacturing technology.

Covers range of frequencies **from 50 to 1700 GHz**. Exhibits high gain with typical pyramidal horn directivity across the frequency band.



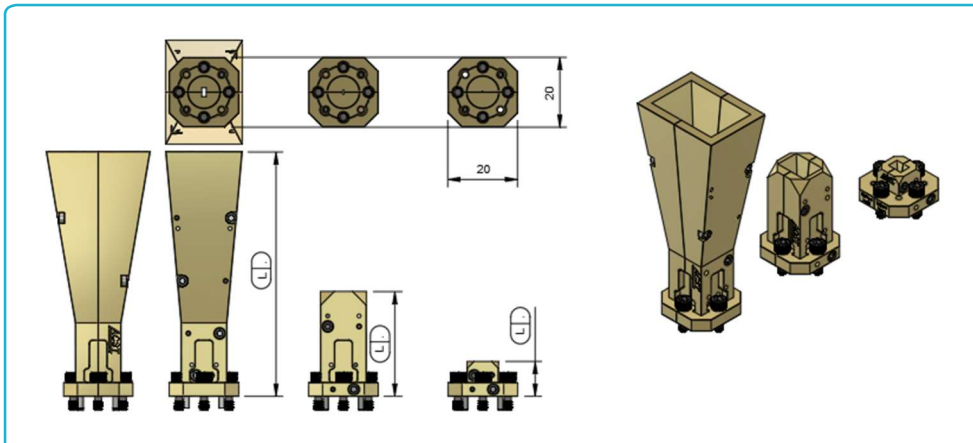
Technical Specification

PRODUCT	527R	527S	527A	527B	527C	527D	527E	527F	527G	527H
Band	WR-15	WR-12	WR-10	WR-8	WR-6.5	WR-5.1	WR-4.3	WR-3.4	WR-2.8	WR-2.2
Frequency Min [GHz]	50	60	75	90	110	140	170	220	260	330
Frequency Max [GHz]	75	90	110	140	170	220	260	330	400	500
Device Flange width [mm]	20									
Device Flange height [mm] (H)	20									
Device length [mm, ±0.05] (L)	70		60		55	45	40	35	30	22.5
HPBW [°] *	10									
Gain [dB] *	25									
Material and Finish	Gold plated brass									
PRODUCT	527J	527K	527L	527M	527N	527O				
Band	WR-1.9	WR-1.5	WR-1.2	WR-1	WR-0.8	WR-0.65				
Frequency Min [GHz]	400	500	600	750	900	1100				
Frequency Max [GHz]	600	750	900	1100	1400	1700				
Device Flange width [mm]	20									
Device Flange height [mm] (H)	20									
Device length [mm, ±0.05] (L)	20	16	14	12	10	8				
HPBW [°] *	10									
Gain [dB] *	25									
Material and Finish	Gold plated brass									

* Customised radiation properties available upon request

High precision waveguide Pyramidal Horn Antenna

Outline Dimensions



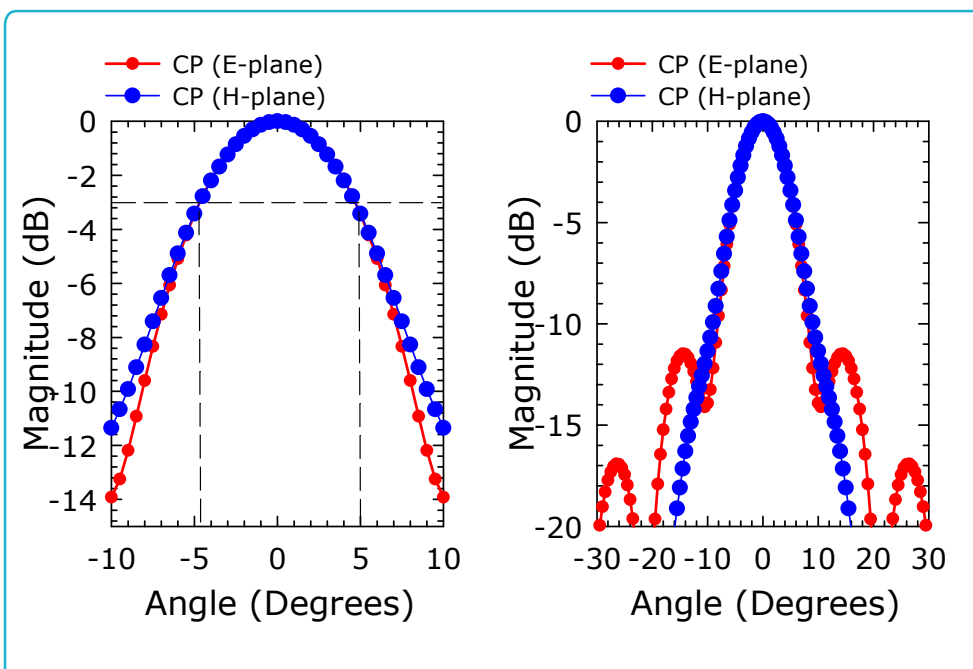
Notes

> All plotted data represent typical values. Actual performance may vary from unit to unit.

Caution

> Any foreign body inserted into the waveguide will diminish performance and may cause damage to instruments.

Typical Performance



Order information

- Please indicate product name and type.
- Please indicate desired optional features



ACST GmbH reserves the right to make changes to the product or information contained herein without notice. Visit www.acst.de for additional data sheets and product information.