

DESCRIPTION

AMCOM's AM000519LN-P1 is a broadband Low Noise Amplifier module. It is designed for general purpose applications. It operates from 10 KHz to 500 MHz with Noise Figure of 1.9 dB and small signal gain of 46 dB. The module operates using a +15V supply and uses SMA connectors for input and output. This amplifier module is compact at 1.25" (L) x 1.25" (W) x 0.563" (H).



FEATURES

- Broadband from 10 KHz - 500 MHz
- 11dBm of saturated CW output power
- Gain 46dB, Noise Figure 1.9 dB
- Input / Output matched to 50 Ohms

APPLICATIONS

- Lab Work
- Test and Measurements
- Instrumentation & control

TYPICAL PERFORMANCE *

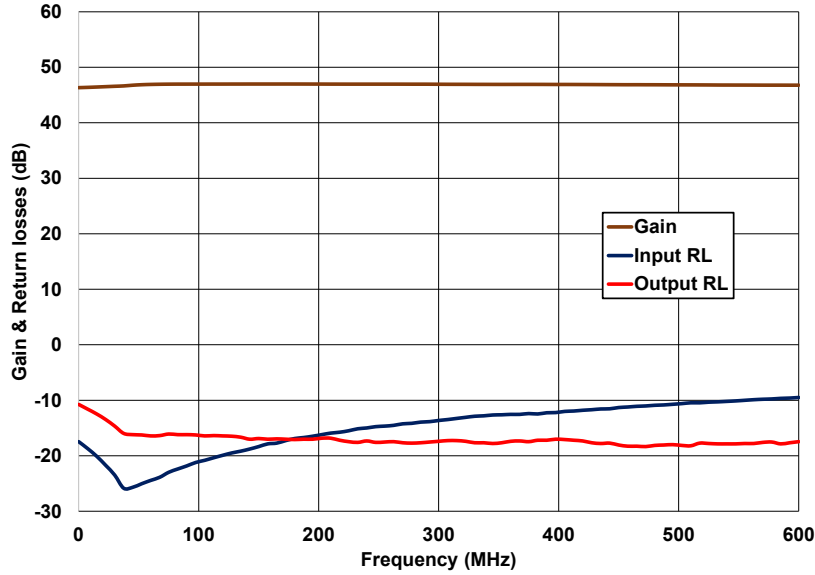
Parameters	Minimum	Typical **	Maximum
Frequency		10KHz – 500MHz	
Small Signal Gain	45	46	
Gain Ripple		± 0.5 dB	
Noise Figure		1.9 dB	2.2
Voltage supply		+15	+18
I _{ds} mA		75	
P _{1dB}	+9	+11	
IP3 dBm		20	
Input Return Loss		15 dB	
Output Return Loss		17 dB	

ABSOLUTE MAXIMUM RATING

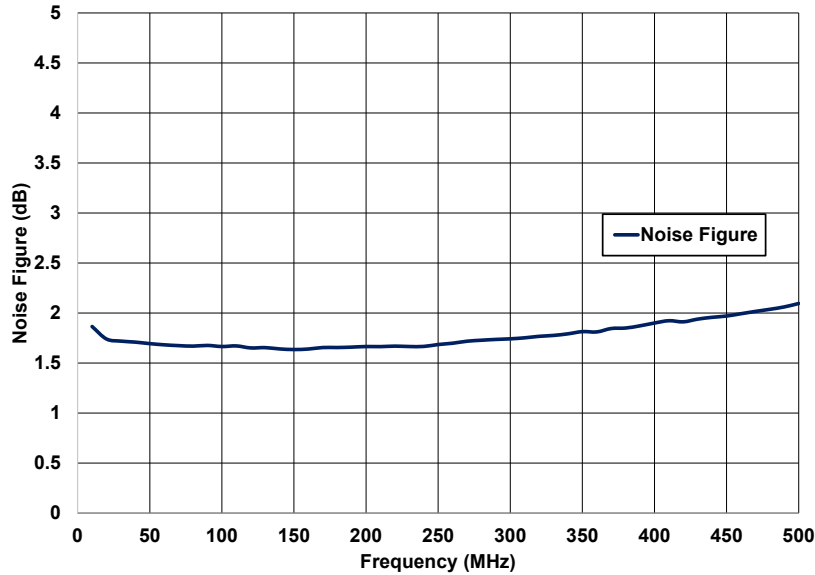
Parameters	Symbol	Rating
Drain source voltage	V _{dq}	18V
RF Input Power	RF _{in}	+13 dBm
Operating temperature	T _{op}	-40°C to +85°C
Storage temperature	T _{sto}	-55°C to +125°C

* Specifications are subject to change without notice.

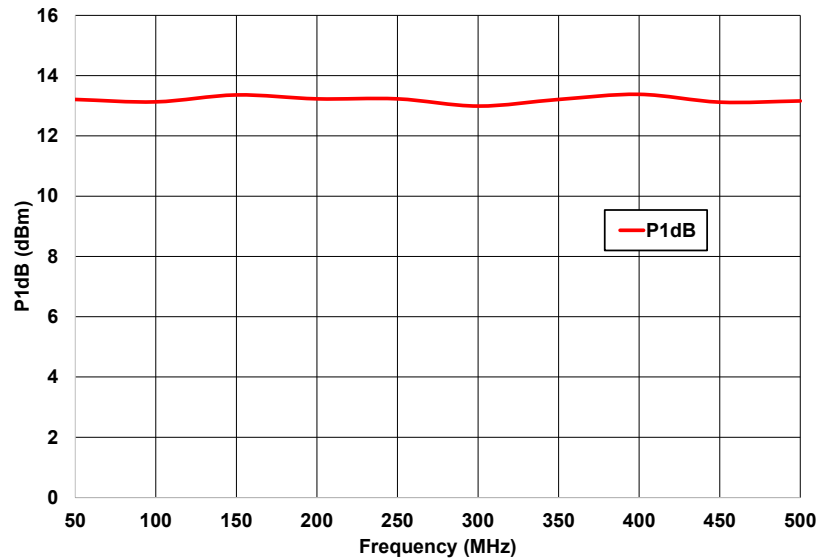
SMALL SIGNAL DATA



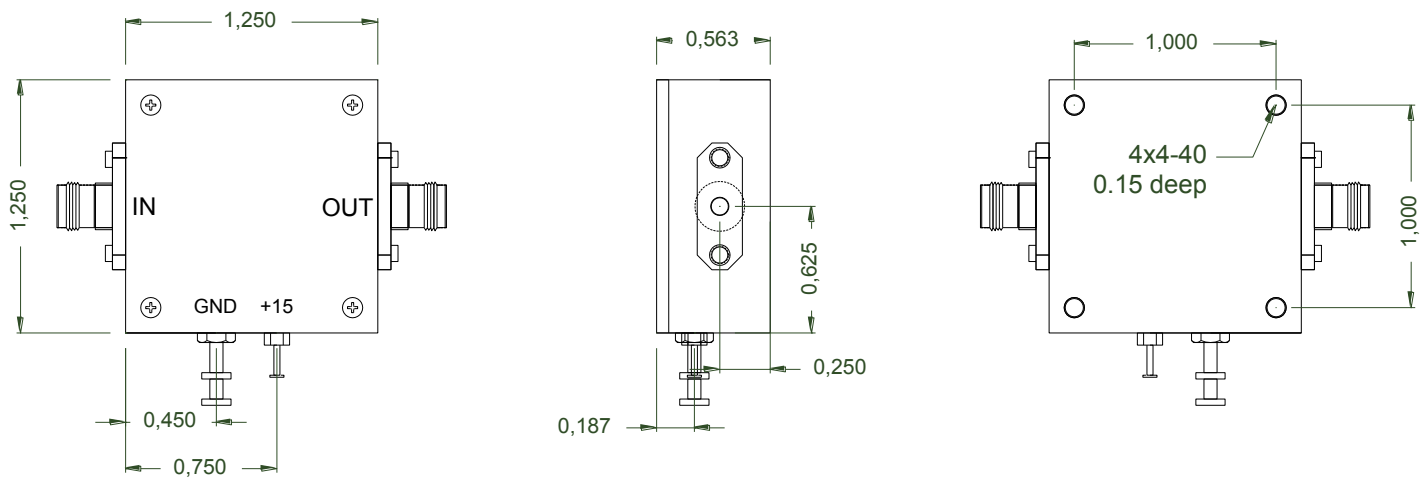
NOISE FIGURE



POWER DATA



PACKAGE OUTLINE



NOTES:

- 1- Female SMA for RF input and output.
- 2- Dimensions in Inches