

## DESCRIPTION

AMCOM's AM004020LN-P1 is a broadband Low Noise Amplifier module. It is designed for general purpose applications. It operates from 20 MHz to 4000 MHz with Noise Figure of 2 dB and small signal gain of 24 dB. The module operates using a +5 V supply and uses SMA connectors for input and output. This amplifier module is compact at 1.25" (L) x 1.25" (W) x 0.563" (H).



## FEATURES

- Broadband from 20 MHz - 4000 MHz
- 18dBm of saturated CW output power
- Gain 24 dB, Noise Figure 2 dB
- Input / Output matched to 50 Ohms

## APPLICATIONS

- Lab Work
- Test and Measurements
- Instrumentation & control

## TYPICAL PERFORMANCE \*

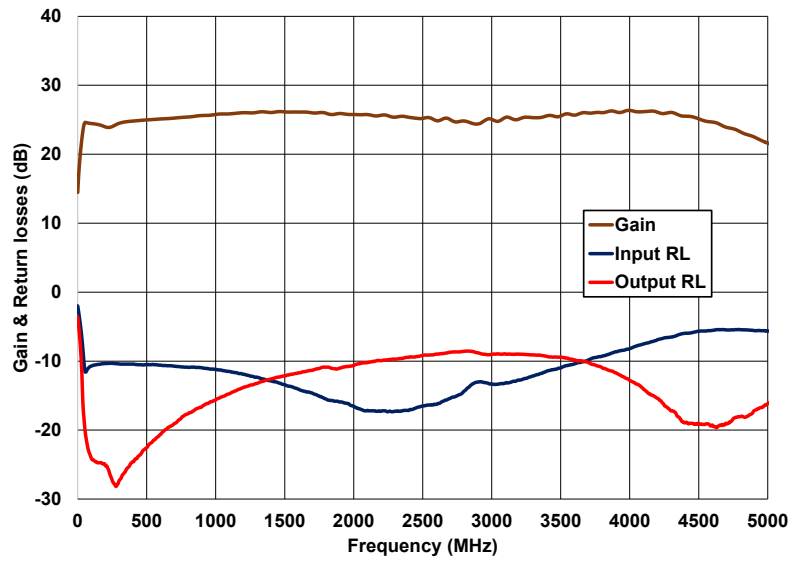
Parameters	Minimum	Typical **	Maximum
Frequency		20MHz – 4000MHz	
Small Signal Gain	20	24	
Gain Ripple		± 1 dB	
Noise Figure		2	
Voltage supply		+5	+6
I <sub>ds</sub> mA		160	
P <sub>1dB</sub>	+16	+18	
IP3 dBm @ 2 GHz		34	
Input Return Loss		10 dB	
Output Return Loss		10 dB	

## ABSOLUTE MAXIMUM RATING

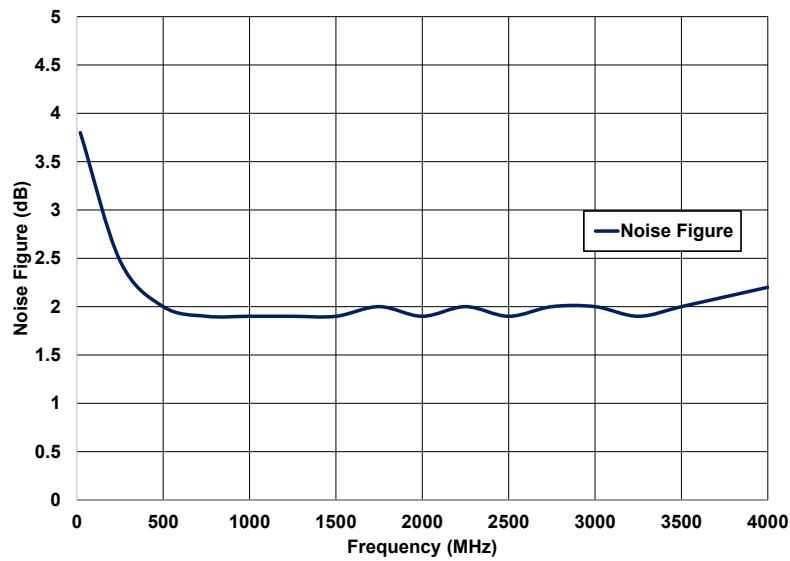
Parameters	Symbol	Rating
Drain source voltage	V <sub>dq</sub>	6V
RF Input Power	RF <sub>in</sub>	+13 dBm
Operating temperature	T <sub>op</sub>	-40°C to +85°C
Storage temperature	T <sub>sto</sub>	-55°C to +125°C

\* Specifications are subject to change without notice.

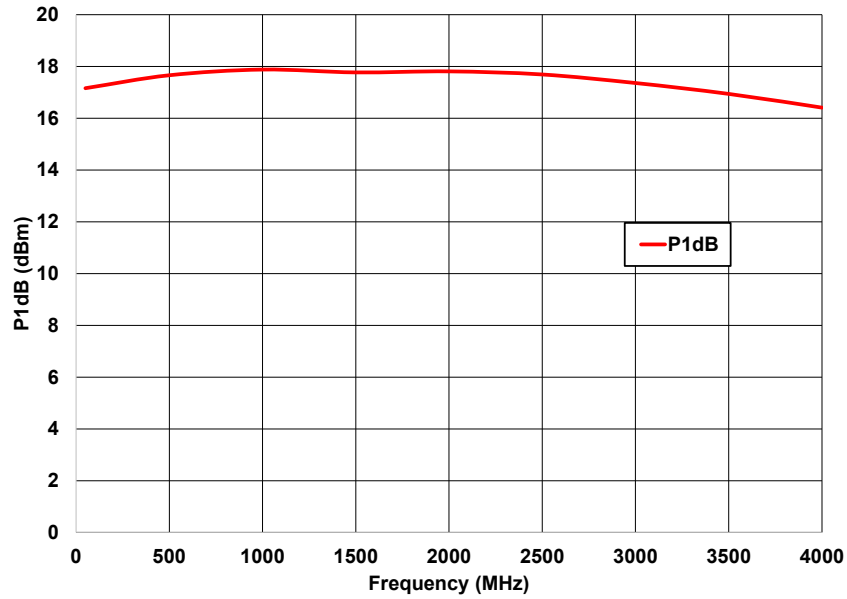
SMALL SIGNAL DATA



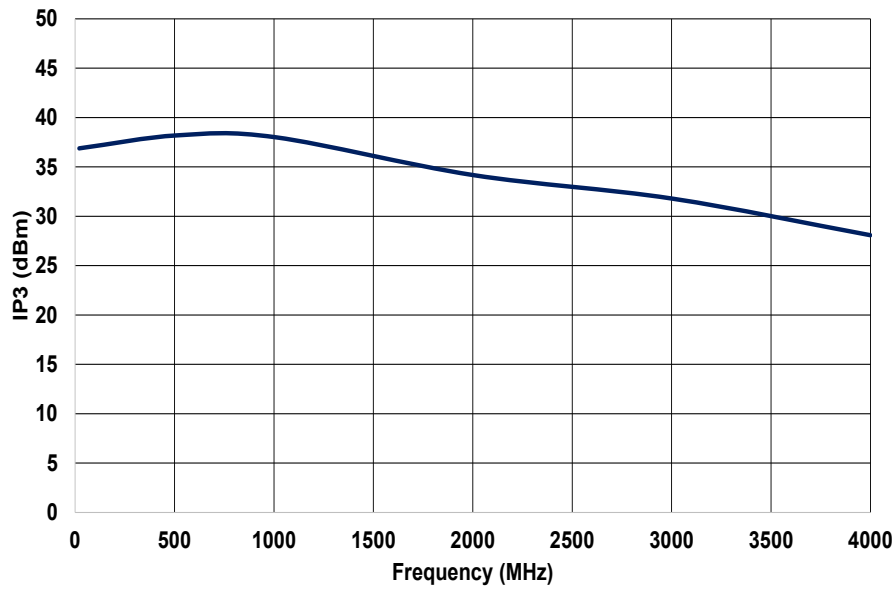
NOISE FIGURE



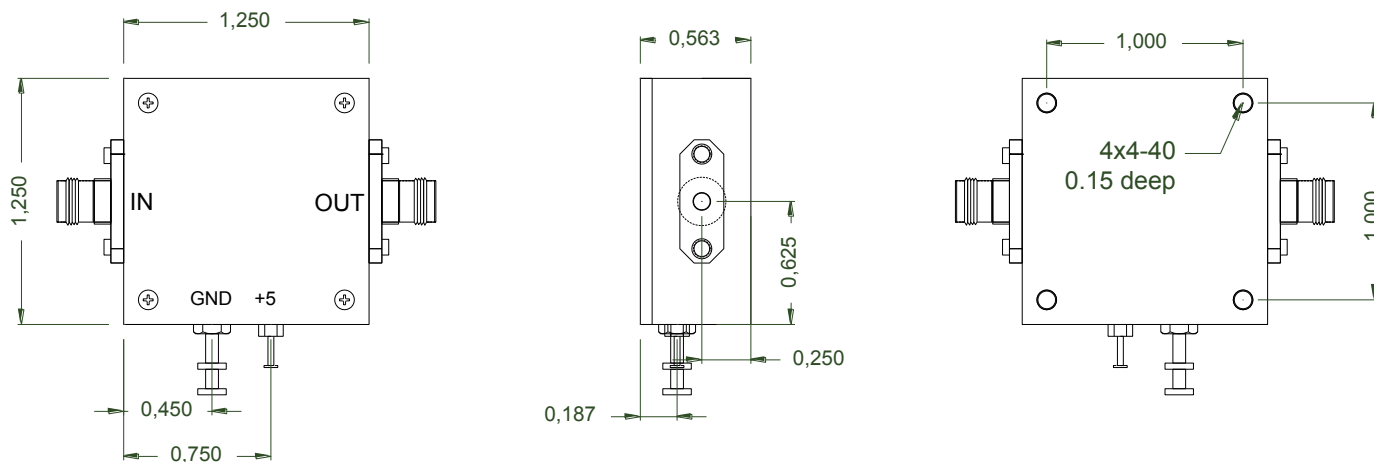
POWER DATA



IP3 DATA



PACKAGE OUTLINE



NOTES:

- 1- Female SMA for RF input and output.
- 2- Dimensions in Inches