

DESCRIPTION

AMCOM's AM056020LN-P1 is a broadband Low Noise Amplifier module. It is designed for general purpose applications. It operates from 500 MHz to 6000 MHz with mid-band Noise Figure of 2 dB and small signal gain of 20 dB. The module operates using a +12V supply and uses SMA connectors for input and output. This amplifier module is compact at 1.25" (L) x 1.25" (W) x 0.563" (H).



FEATURES

- Broadband from 500 MHz - 6000 MHz
- 4dBm of saturated CW output power
- Gain 20dB, Noise Figure 2 dB
- Input / Output matched to 50 Ohms

APPLICATIONS

- Lab Work
- Test and Measurements
- Instrumentation & control

TYPICAL PERFORMANCE *

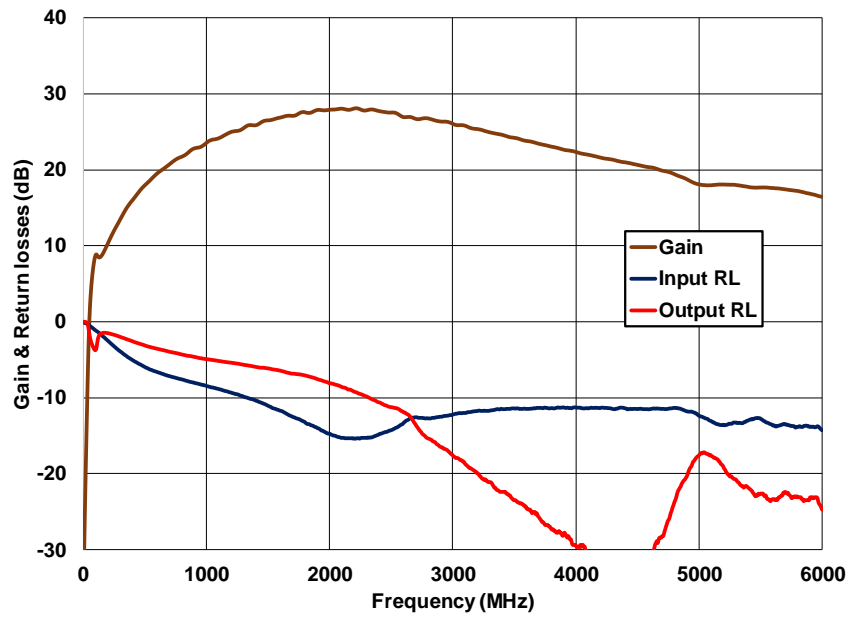
Parameters	Minimum	Typical **	Maximum
Frequency		500MHz – 6000MHz	
Small Signal Gain	14	20	
Gain Ripple		± 4 dB	
Noise Figure (1.5 to 5 GHz)		2	
Voltage supply		+12	+15
I _{ds} mA		15	
P _{1dB}	+2	+4	
IP3 dBm @ 2500 MHz		+15	
Input Return Loss (Freq>1500MHz)		10 dB	
Output Return Loss (Freq>2500MHz)		10 dB	

ABSOLUTE MAXIMUM RATING

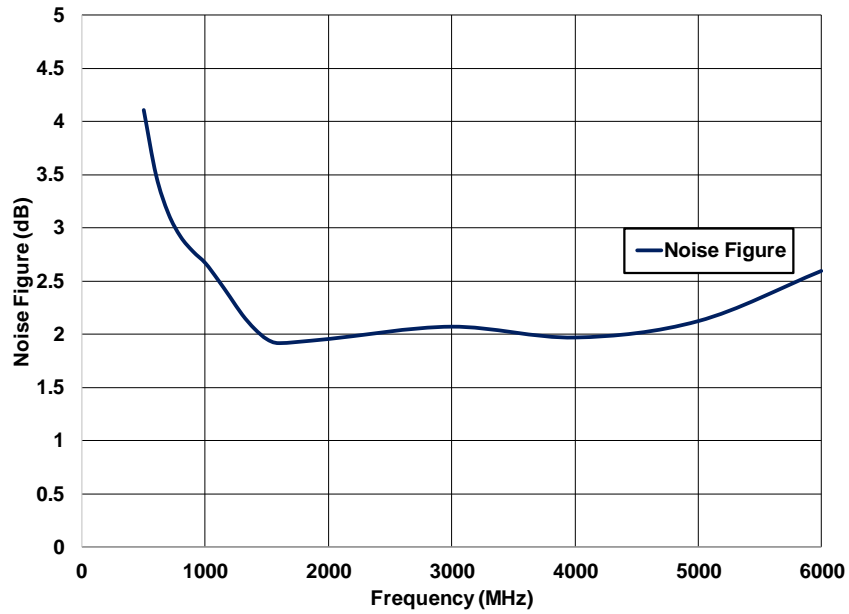
Parameters	Symbol	Rating
Drain source voltage	V _{dq}	15V
RF Input Power	RF _{in}	+13 dBm
Operating temperature	T _{op}	-40°C to +85°C
Storage temperature	T _{sto}	-55°C to +125°C

* Specifications are subject to change without notice.

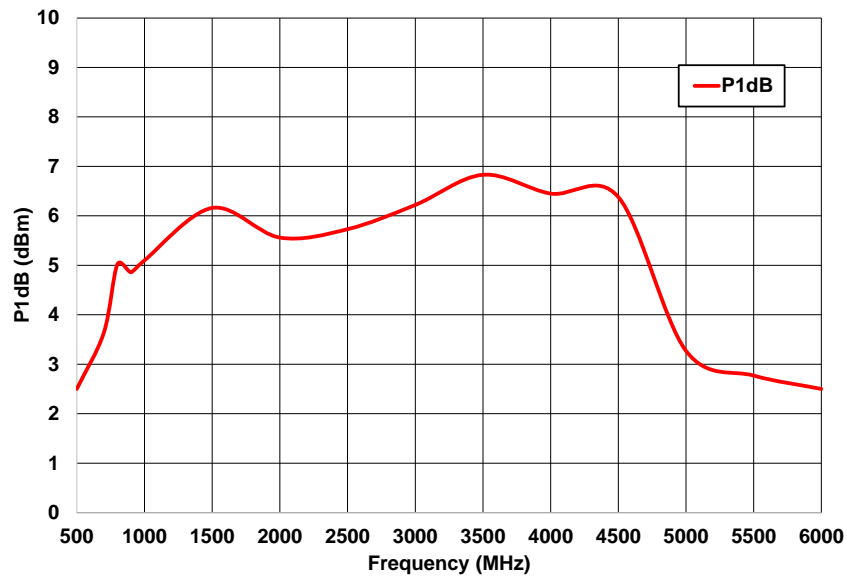
SMALL SIGNAL DATA



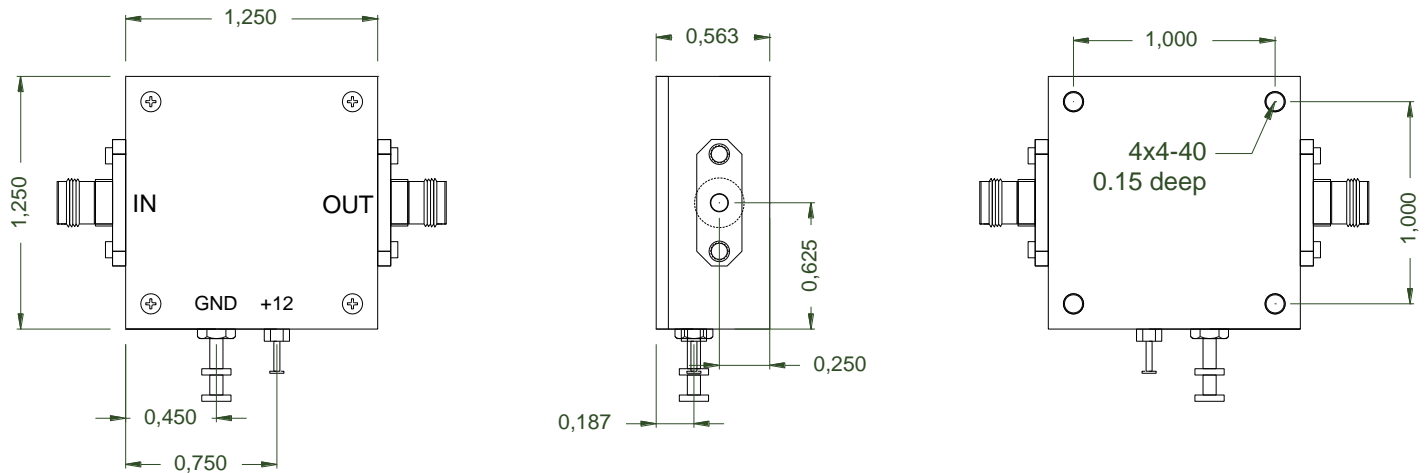
NOISE FIGURE



POWER DATA



PACKAGE OUTLINE



NOTES:

- 1- Female SMA for RF input and output.
- 2- Dimensions in Inches