



**Features**

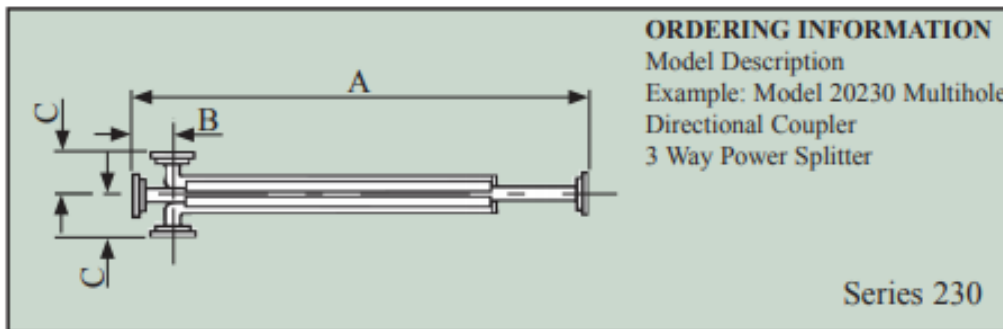
- **High Directivity**
- **3 Wat Signal Splitter**
- **$\pm 0.2\text{dB}$  Balance Between Coupled Arms**

The Flann Multihole Power Splitter consists of a central waveguide with coupling arrays in the broad walls designed to divide the input signal into three signals of equal magnitude. Normally the instrument is a 4-port device as illustrated. However, for network analyser applications where only two equal amplitude signals are required the central output port may be terminated. Precision machining methods ensure that the full band frequency sensitivity between secondary waveguide ports is better than  $\pm 0.2\text{ dB}$ . The coupling to each output port is 4.8 dB down with respect to the input signal. Directivity for most models is greater than 40 dB.



Model 26231

*IMPORTANT! All directivities quoted include the measuring port and flange performance when connected to an ideal termination.*



**FLANN MICROWAVE LTD.**

Dunmere Road  
Bodmin  
Cornwall  
PL31 2QL

**GET IN TOUCH:**

Tel: +44 (0)1208 77777  
sales@flann.com  
www.flann.com



**FLANN MICROWAVE**

**Multihole Directional Couplers**

Series 230 / 231

Model	Frequency Range (GHz)	Waveguide			Maximum Directivity (dB)	Sensitivity Between Coupled Ports (dB)	Dimensions (mm)			Weight (kg)
		WG	R	WR			A	B	C	
10230	2.60 - 3.95	10	32	284	40	±0.2	1773	85	130	19.0
11A230	3.22 - 4.90	11A	40	229	40	±0.2	1407	79	100	9.3
12230	3.94 - 5.99	12	48	187	40	±0.2	1213	60	90	8.4
14230	5.38 - 8.18	14	70	137	40	±0.2	976	50	60	5.0
15230	6.58 - 10.0	15	84	112	40	±0.2	753	35	50	3.0
16230	8.20 - 12.5	16	100	90	40	±0.2	649	35	45	1.9
17230	9.84 - 15.0	17	120	75	40	±0.2	522	35	40	1.4
18230	11.9 - 18.0	18	140	62	40	±0.2	438	30	35	0.9
19230	14.5 - 22.0	19	180	51	40	±0.2	392	30	35	0.7
20230	17.6 - 26.7	20	220	42	38	±0.3	314	25	25	0.4
22230	26.4 - 40.1	22	320	28	38	±0.3	228	24	29	0.3
23231	33.0 - 50.1	23	400	22	36	±0.3				
24231	39.3 - 59.7	24	500	19	33	±0.3				
25231	49.9 - 75.8	25	620	15	33	±0.3				
26231	60.5 - 92.0	26	740	12	30	±0.4				
27231	73.8 - 112	27	900	10	27	±0.5				
28231	92.3 - 140	28	1200	8						
29231	114 - 173	29	1400	6						
30231	145 - 220	30	1800	5						
31231	172 - 261	31	2200	4						
32231	217 - 330	32	2600	3						

Specifications available on request

**Custom Design**

Custom built instruments can be supplied; please contact the sales team for more information

[sales@flann.com](mailto:sales@flann.com)

**FLANN MICROWAVE LTD.**

Dunmere Road  
Bodmin  
Cornwall  
PL31 2QL

**GET IN TOUCH:**

Tel: +44 (0)1208 77777  
sales@flann.com  
www.flann.com