



Features

- Efficient HPA Combining
- Full Power HPA Redundancy
- High Speed Switching
- Fully Integrated Solution

Applications

- Mobile Installations
- Fixed / Ground Installations
- SNG Trucks



The Series 520 suite offers various solutions supporting multiple High Power Amplifier configuration and combining requirements. The entry level CRU module routes the outputs of two HPAs to an Antenna and High-Power Load as in a “Hot Standby” system. Or it combines both HPA outputs to an Antenna to increase power in difficult Satcom uplink budget situations.

The complete phase optimised Combiner / Redundancy System is available with a separate Hub Box and rack mount Controller or fully integrated into a single box controlled via a laptop dialogue box.

Typical RF Specification

Frequency Range	12.75 GHz - 14.5 GHz
RF Power Handling	> 1 kW on both channels simultaneously
System Insertion Loss (Redundancy Mode)	< 0.35 dB
Switching Speed (Combining to Redundancy Mode)	< 50 ms
VSWR	< 1.25: 1
Antenna Power Monitor	-50 dB

FLANN MICROWAVE LTD.

Dunmere Road
Bodmin
Cornwall
PL31 2QL

GET IN TOUCH:

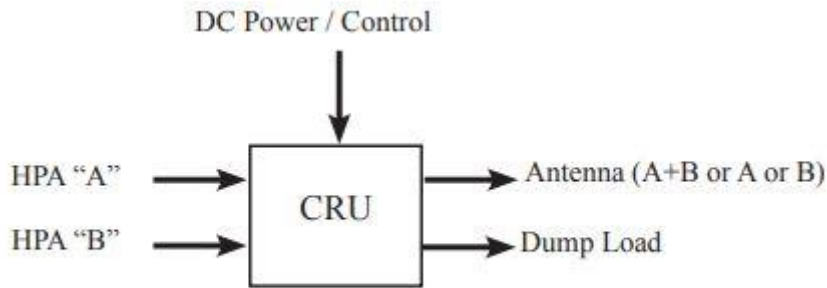
Tel: +44 (0)1208 77777
sales@flann.com
www.flann.com



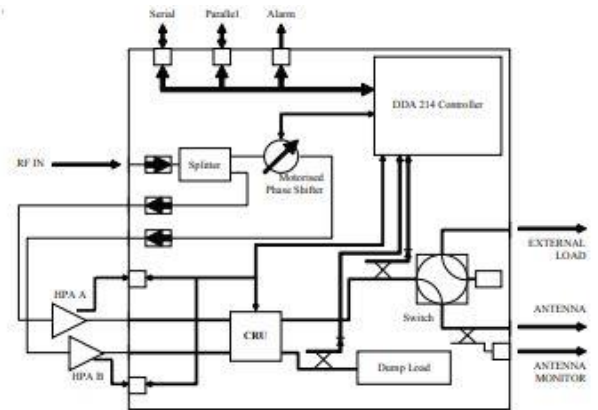
FLANN MICROWAVE

Phase Combining / Redundancy Solutions

Series 520



General System Schematic



A Typical System Schematic

Custom Design

Custom built instruments can be supplied; please contact the sales team for more information

sales@flann.com

FLANN MICROWAVE LTD.

Dunmere Road
Bodmin
Cornwall
PL31 2QL

GET IN TOUCH:

Tel: +44 (0)1208 77777
sales@flann.com
www.flann.com