

50GHz 96CH AAWG(Flat Top) Module



50G 96CH AAWG module AAWG series products adopt silicon on silicon plane technology, has high performance and reliability, can be used for general DWDM system. Based on a non-thermal design and packaging, it is a completely passive product that does not require any power and temperature control. For 50G AAWG Mux/Demux, it supports up to 96-CH based on a single chipset. Custom wavelength, packaging and fiber options are also available.



Features

- ❖ Low Insertion Loss
- ❖ High Integration
- ❖ Excellent Uniformity
- ❖ Low PMD
- ❖ High stability and reliability

Application

- ❖ Telecom 4G/5G
- ❖ Metro Network
- ❖ Backbone Network
- ❖ Data Center

Performance Specifications

Parameters	Specifications
Operating Wavelength(nm)	1525-1570 (C-band)
Channel	80/96
Channel Wavelength(THz)	191.35~196.10
Channel Frequency Interval(GHz)	50
Center Wavelength Bandwidth(GHz)	±6.25
Center Wavelength Accuracy(nm)	±0.05
-1dB Bandwidth(nm)	≥0.2
-3dB Bandwidth(nm)	≥0.28
Pass band Insertion Loss (dB)	≤6.0
Adjacent Isolation(dB)	≥25
Non-Adjacent Isolation(dB)	≥30
Total Cross Talk(dB)	≥22
Insertion Loss Uniformity(dB)	≤1.3
Passband Ripple(dB)	≤0.5
Polarization-related losses(dB)	≤0.5
Polarization Mode Dispersion(ps)	≤1
Return Loss(dB)	≥45
Directivity(dB)	≥45
Chromatic Dispersion(ps/nm)	-20~+20
Max Optical Power(mW)	500
Operating Temperature(°C)	-5~+65
Storage Temperature(°C)	-40~+85

*Notes: 1.Insertion Loss tested without connector.

Package Information

Fiber Length	1m , or others on request
Fiber Type	G657A /customize
Pigtail Type	Ribbon fiber with 900um loose tube fan-out

Hirundo Optics Inc

Factory:2nd Floor, Building 6, #16 Xinfu Road, Southern Cable Industrial Park, Rongli Ronggui Street, Shunde District, Foshan city, Guangdong 528305 China
Tel: 0757-26619220

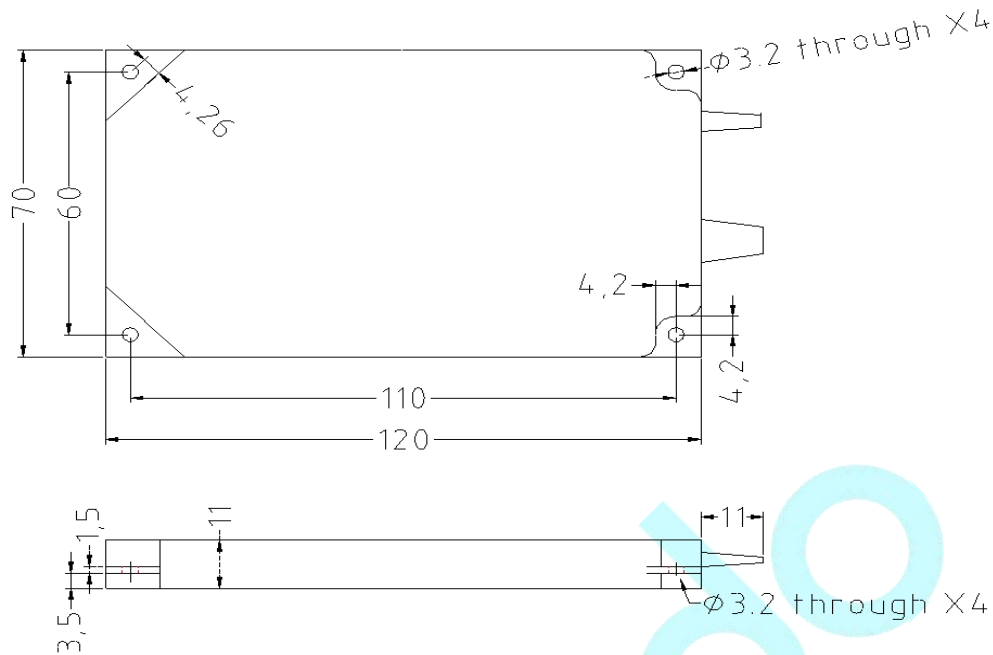
Email: info@hirundo-link.com

Website: <https://www.hirundo-link.com>

50GHz 96CH AAWG(Flat Top) Module

Dimensions(mm)	Metal box L120xW70xH11
----------------	------------------------

Dimensions(Unit:mm)



Channel Plan Port AWG - On grid

The AWG operate in C-band. The C-band channel allocation is based on ITU-T Grid. The channels are as follows:

Channel No.	Frequency THz	Wavelength nm	Channel No.	Frequency THz	Wavelength nm
1	191.35	1566.72	49	193.75	1547.32
2	191.40	1566.31	50	193.80	1546.92
3	191.45	1565.90	51	193.85	1546.52
4	191.50	1565.50	52	193.90	1546.12
5	191.55	1565.09	53	193.95	1545.72
6	191.60	1564.68	54	194.00	1545.32
7	191.65	1564.27	55	194.05	1544.92
8	191.70	1563.86	56	194.10	1544.53
9	191.75	1563.45	57	194.15	1544.13
10	191.80	1563.05	58	194.20	1543.73
11	191.85	1562.64	59	194.25	1543.33
12	191.90	1562.23	60	194.30	1542.94
13	191.95	1561.83	61	194.35	1542.54
14	192.00	1561.42	62	194.40	1542.14
15	192.05	1561.01	63	194.45	1541.75
16	192.10	1560.61	64	194.50	1541.35
17	192.15	1560.20	65	194.55	1540.95
18	192.20	1559.79	66	194.60	1540.56
19	192.25	1559.39	67	194.65	1540.16
20	192.30	1558.98	68	194.70	1539.77
21	192.35	1558.58	69	194.75	1539.37
22	192.40	1558.17	70	194.80	1538.98

Hirundo Optics Inc

50GHz 96CH AAWG(Flat Top) Module



23	192.45	1557.77	71	194.85	1538.58
24	192.50	1557.36	72	194.90	1538.19
25	192.55	1556.96	73	194.95	1537.79
26	192.60	1556.55	74	195.00	1537.40
27	192.65	1556.15	75	195.05	1537.00
28	192.70	1555.75	76	195.10	1536.61
29	192.75	1555.34	77	195.15	1536.22
30	192.80	1554.94	78	195.20	1535.82
31	192.85	1554.54	79	195.25	1535.43
32	192.90	1554.13	80	195.30	1535.04
33	192.95	1553.73	81	195.35	1534.64
34	193.00	1553.33	82	195.40	1534.25
35	193.05	1552.93	83	195.45	1533.86
36	193.10	1552.52	84	195.50	1533.47
37	193.15	1552.12	85	195.55	1533.07
38	193.20	1551.72	86	195.60	1532.68
39	193.25	1551.32	87	195.65	1532.29
40	193.30	1550.92	88	195.70	1531.90
41	193.35	1550.52	89	195.75	1531.51
42	193.40	1550.12	90	195.80	1531.12
43	193.45	1549.72	91	195.85	1530.72
44	193.50	1549.32	92	195.90	1530.33
45	193.55	1548.91	93	195.95	1529.94
46	193.60	1548.51	94	196.00	1529.55
47	193.65	1548.11	95	196.05	1529.16
48	193.70	1547.72	96	196.10	1528.77

Order information:

AAWG (Athermal AWG) PN: AAWG-XXXXXXXXXX-XX (AAWG+10 Code+2 Serial Number)

AAWG	XX	XX	X	X	X	X	X	X	XX	
	Channel	Start Channel	Package Type	Chip Type	Fiber Length	Connector	Band	Spacing		
16	16CH	20	C20	A Metal box	F Flat Top	0 0.5m	0 none	C C-band	1 100G	SN
24	24CH	21	C21	K Rackmount	G Gaussian	1 1.0m	1 SC/UPC	L L-band	2 200G	
32	32CH	60	C60	S Special	B Broad Gaussian	2 1.5m	2 SC/APC	D C+L band	3 50G	
40	40CH	-	...			3 2.0m	3 FC/UPC	O O-band	4 75G	
48	48CH	-	ITUChannel			4 2.5m	4 FC/APC	S Special	5 150G	
64	64CH					5 3.0m	5 LC/UPC			
80	80CH					6 3.5m	6 LC/APC			
96	96CH					7 0.7m	7 ST/UPC			
0S	Special					8 1.2m	8 E2000			
						9 2.7m	9 MPO			
						S Special	S Special			

Hirundo Optics Inc

Factory: 2nd Floor, Building 6, #16 Xinfa Road, Southern Cable Industrial Park, Rongli Ronggui Street, Shunde District, Foshan city, Guangdong 528305 China
 Tel: 0757-26619220

Email: info@hirundo-link.com

Website: <https://www.hirundo-link.com>