



## STR1240Series, 400W, X-Band, Rack Mount TWTA

The new generation of STR Series rack mount TWTA's provide an easy to operate, colour touch screen interface with a multi-functional selector wheel. The colour touch screen display provides clear, easy to read status of the amplifier's operation, including: RF output power monitoring, heater, helix monitoring, & TWT temperature. Set up screens are intuitive and simple to manage and the touch panel allows full local control and monitoring of all amplifier parameters, including automatic level control, system event logging and graphical trend analysis. Remote control operation can be made via RS485 or through an Ethernet interface, and a web page interface is also available. If a redundancy system is required, this can be set up and controlled via the touch screen. Changes to operating parameters can be locked and password protected if required.

The HPA incorporates a high efficiency multi-collector TWT powered by an advanced power supply built on over 30 years of experience in the design and manufacture of satellite amplifiers. The company's products have an enviable reputation for performance, robust quality and reliable service.

The STR1240 is available with a wide range of options and accessories, backed by round-the-clock, worldwide technical support.

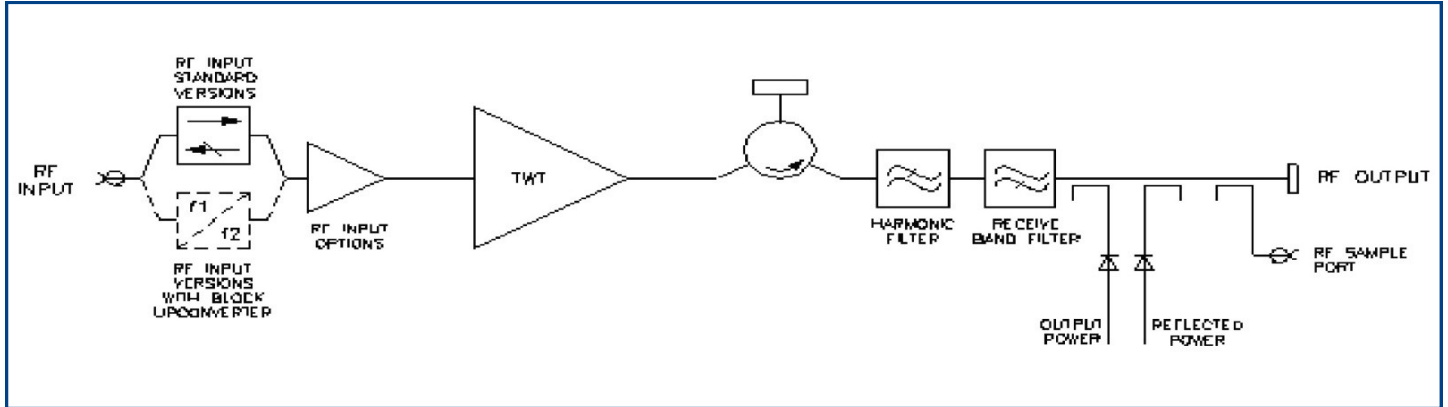
### Options

- Integral solid-state amplifier (SSA)
- L-Band Block upconverter
- 10MHz reference
- Lineariser
- Redundant system control
- Quick connect waveguide options

### Features

- Touch screen control
- Ethernet interface
- Remote diagnostics
- Forward and reverse power monitoring
- TWTA performance Data and Event logging
- Built-in redundancy control

## BLOCK DIAGRAM



### PERFORMANCE (Without Upconverter)

Frequency range (XX1) .....	7.9 to 8.4
Output power:	
TWT output flange .....	400
HPA rated output .....	350
Gain:	
at rated power (C option) .....	45
at rated power (A, D, Z option) .....	70
SSG $P_{rated} - 10$ dB (C option) .....	50
SSG $P_{rated} - 10$ dB (A, D, Z option) .....	75
Attenuation range (D, Z option) .....	25
Gain variation:	
full band .....	2.5
over any 40 MHz band .....	1.0
slope .....	0.08
Gain stability 24hrs (constant drive, temperature and load) .....	0.5
Gain stability over full operating temperature .....	2.0
Intermodulation (two equal carriers) with total output = $P_{rated} - 4$ dB: options A, D .....	-18
performance with linearised option, Z .....	-24
Harmonic output .....	-60
AM to PM conversion at $P_{rated} - 6$ dB .....	2.5
Noise power:	
transmit band .....	-70 dBW/4 kHz max
receive band (7.25 – 7.75 GHz) .....	-70 dBW/4 kHz max
Residual AM:	
<10 kHz .....	-50
10 kHz < f < 500 kHz .....	-20(1.5+log f)
>500 kHz .....	-85
Group delay:	
linear .....	0.01
parabolic .....	0.005
ripple .....	0.5
Phase noise:	
continuous .....	10 dB lower than IESS phase noise profile
AC fundamental .....	-50
sum of all spurs .....	-47
Input VSWR (operating) .....	1.3:1
Output VSWR (non-operating) .....	1.3:1
Load VSWR, no damage .....	2.0:1

### ELECTRICAL

Prime power .....	single phase, line-neutral or line-line
Voltage .....	99 to 265 V
Frequency .....	47 to 63 Hz
Power requirement .....	1500 VA max
Power factor .....	0.95 min

### MECHANICAL

GHz	Weight .....	25.0 kg (55 lb) typ
	Dimensions .....	see outline
W min	Cooling .....	integral forced-air
W min		

### CONNECTORS

dB min	RF input .....	N-type female
dB min	RF output .....	CPR112G with 8-32 UNF threaded holes
dB min	RF sample port .....	N-type female
dB min	Prime power .....	TT Cannon - CGL02A20-3P-E1B-B
dB min	Control interface .....	62GB-12E-2041-PN

**Note:** Mating connectors for the mains supply and control

interface are supplied.

### ENVIRONMENTAL

For operation outside these parameters, refer to Spacepath

dB max	Communications for guidance.	
dB max	Operating temperature .....	-40 to +55 °C
Derating .....	2°C/300 m above sea level	
dBc max	(3.6 °F/1000 ft)	
dBc max	Storage temperature .....	-40 to +80 °C
dBc max	Relative humidity (condensing) .....	100 %
°/dB	Altitude:	
	operating .....	4.5 km (15,000 ft) max
	non-operating .....	12 km (40,000 ft) max
Vibration .....	BS EN 60068-2-64 test Fh, Transportation	
Shock .....	IEC Publication 68-2-27 Part 2 Test Ea, 25 g	
dBc max	EMC:	
dBc max	EN61000-6-3:2001 (Emissions)	
dBc max	EN61000-6-2:2001 (Immunity)	
	FCC CFR47 Part 15B	
ns/MHz		
ns/MHz <sup>2</sup>		

### CE CERTIFIED

EMC Directive 89/336/EEC, Low Voltage Directive 73/23/EEC.

Note: Safety applies for operating altitude up to 2000 m.

## CONTROLS

Type	Function
<b>REMOTE CONTROL</b>	Off Standby Transmit RF inhibit
<b>REMOTE STATUS/MONITOR</b>	High Power Alarm Set Low Power Alarm Set Auto Redundancy Control RF Switch Control Gain Control (when fitted)
<b>INTERFACES</b>	Off Warm-up Standby Transmit Fault Summary Reflected Power External interlock TWT too hot Mean Helix Current Peak Helix Current High Power Alarm Low Power Alarm
<b>Other Features</b>	Output Power Monitor Reflected Power Monitor Helix Current Monitor Helix Voltage Collector Voltages Heater Voltage Heater Current Elapsed Hours
	RS-422/485 / Ethernet Dry Relay Contact
	Auxiliary Output Voltage Redundant system & waveguide switch drive

## OPTIONS

Extensive options are offered with the STR1240 and include; integral pre-amplifiers, gain control, linearisers and block upconverters. The options are defined by adding to the base number as shown below:

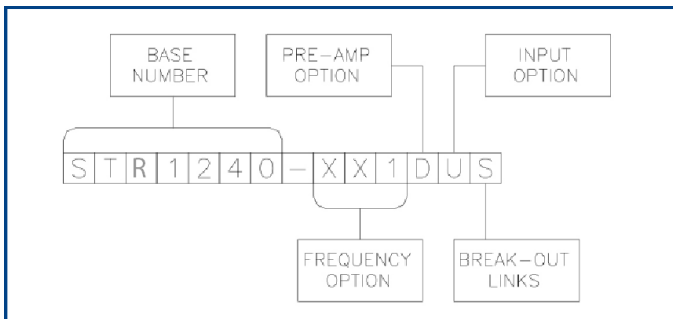
### Input Option

The STR1240 can be offered with an L-Band Block Upconverter. Specify:  
 N - Standard RF  
 U - L to Ku-Band Block Upconverter (see page 4)

### Note:

The upconverter requires the inclusion of the 'D' and 'Z' option. (Consult Spacepath Communications for availability)

For more information contact Spacepath Communications.



(Consult SpacePath Communications for availability of options)

### Frequency Options

The STR1240 is offered in one frequency band:  
 XX1 - 7.9 – 8.4 GHz

### Pre-Amp Option

The pre-amp option can be selected from any of the following:

- A - Integral solid-state amplifier (typical SSG 78 dB)
- D - As option 'A' but includes an attenuator to provide 25 dB (min) of gain control
- Z - Integral lineariser that improves the linearity of the HPA, providing a C/I of typically -26 dBc at 4dB OPBO. The lineariser also incorporates the pre-amp and gain control options. (Consult SpacePath Communications for availability)

## PERFORMANCE WITH INTEGRAL BLOCK UPCONVERTER

Output frequency range .....	7.9 to 8.4	GHz
L-band input:		
frequency range .....	950 to 1450	MHz
level .....	10	dBm max
LO frequency .....	6.95	GHz
External reference (see note):		
frequency .....	10	MHz
level .....	-3 to +7	dBm
impedance .....	50	$\Omega$
Output power:		
TWT output flange .....	400	W min
HPA rated output .....	350	W min
Gain:		
at rated power (D, Z option) .....	70	dB min
SSG Prated -10 dB (D, Z option) .....	75	dB min
Attenuation range (D, Z option) .....	25	dB min
Gain variation:		
full band .....	4.0	dB max
over any 40 MHz band .....	1.5	dB max
slope .....	0.08	dB/MHz max
Gain stability 24hrs (constant drive, temperature and load).....	0.5	dB max
Gain stability over full operating temperature...	2.0	dB max
Intermodulation (two equal carriers) with total output = $P_{rated} - 4$ dB:		
options A, D .....	-18	dBc max
performance with linearised option, Z .....	-24	dBc max
Harmonic output .....	-60	dBc max
AM to PM conversion at $P_{rated} - 6$ dB .....	2.5	$^{\circ}/dB$
Noise power:		
transmit band .....	-70 dBW/4 kHz max	
receive band (7.25 – 7.75 GHz) .....	-70 dBW/4 kHz max	
Residual AM >100 kHz from carrier .....	-60	dBc max

Group delay:		
linear .....	0.01	ns/MHz
parabolic .....	0.005	ns/MHz <sup>2</sup>
ripple .....	0.5	ns p-p
Phase noise:		
Continuous .....	meets IESS phase noise profile	
AC fundamental .....	-50	dBc
Sum of all spurs .....	-47	dBc
Input VSWR (non-operating) .....	1.6:1	max
Output VSWR (non-operating) .....	1.3:1	max
Load VSWR, no damage .....	2.0:1	max

**Note:** the BUC can be operated without the external reference, typical frequency stability  $\pm 0.25$  ppm.

### HEALTH AND SAFETY HAZARDS

Stellar satellite amplifiers are safe to handle and operate provided that the relevant precautions are observed. SpacePath Communications does not accept responsibility for damage or injury resulting from the use of electronic devices it produces.

### High Voltage

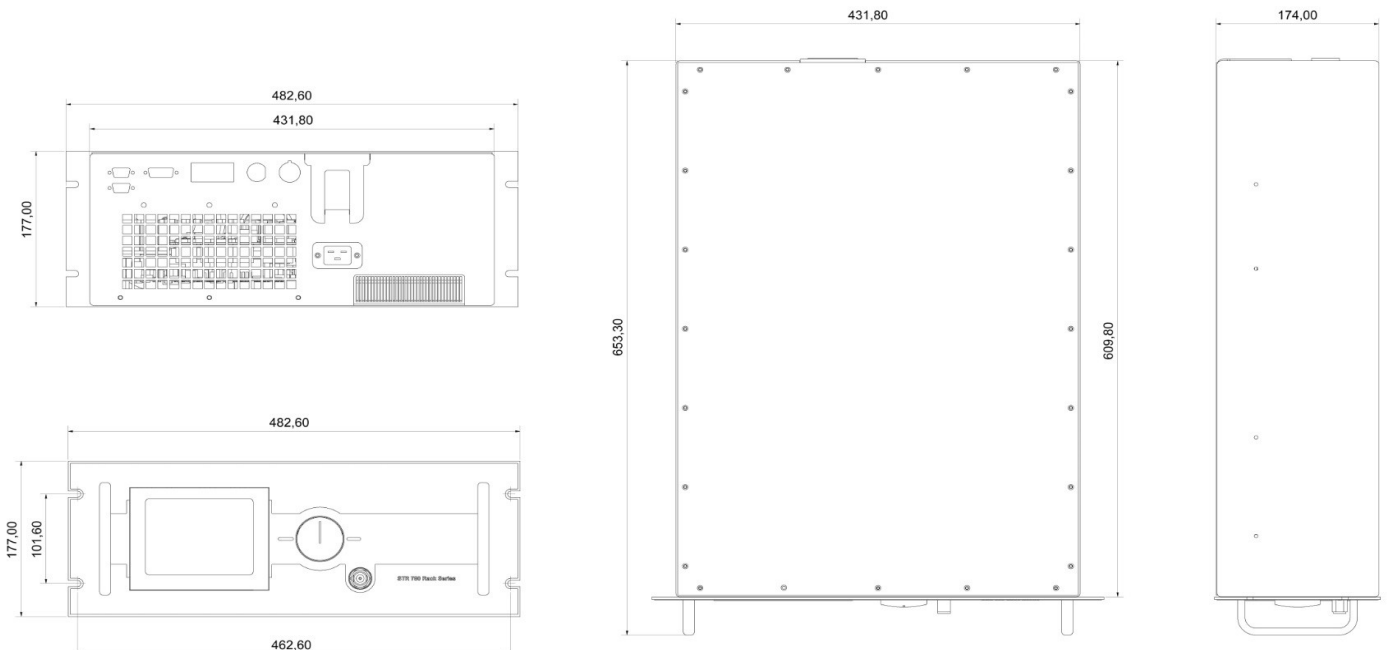
Dangerous voltages are present within the TWT amplifier when operating normally. However, the equipment is designed so that personnel cannot come into contact with high voltage circuits unless covers are removed.

### RF Radiation

All RF connectors must be correctly fitted before operation.

### Beryllia

The TWT in the amplifier contains Beryllium Oxide ceramic parts. These are not accessible unless the TWT casing is damaged. Consult SpacePath Communications regarding the disposal of damaged or life expired tubes.



Whilst SpacePath Communications has taken care to ensure the accuracy of the information contained herein it accepts no responsibility for the consequences of any use thereof and also reserves the right to change the specification of goods without notice. SpacePath Communications accepts no liability beyond the set out in its standard conditions of sale in respect of infringement of third party patents arising from the use of tubes or other devices in accordance with information contained herein.